

1

2

3

4

5

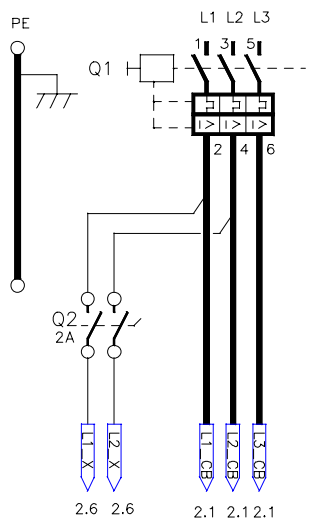
6

7

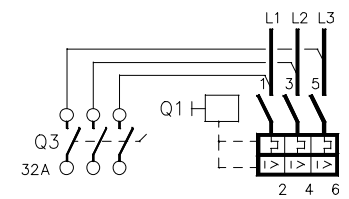
8

9

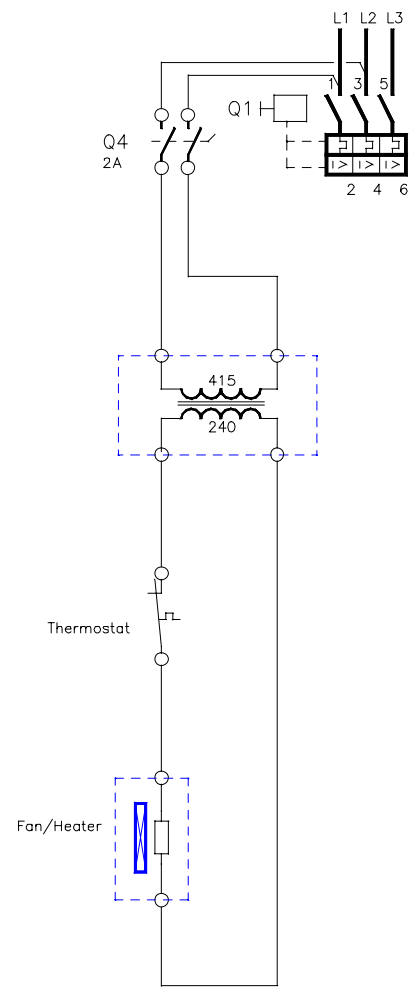
STANDARD OPTION



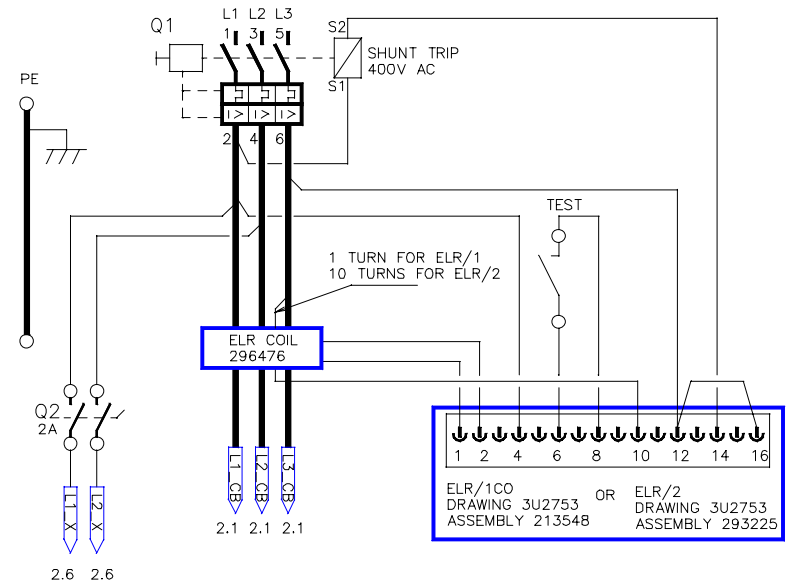
AUX. SUPPLY OPTION



HEATER OPTION



ELR OPTION

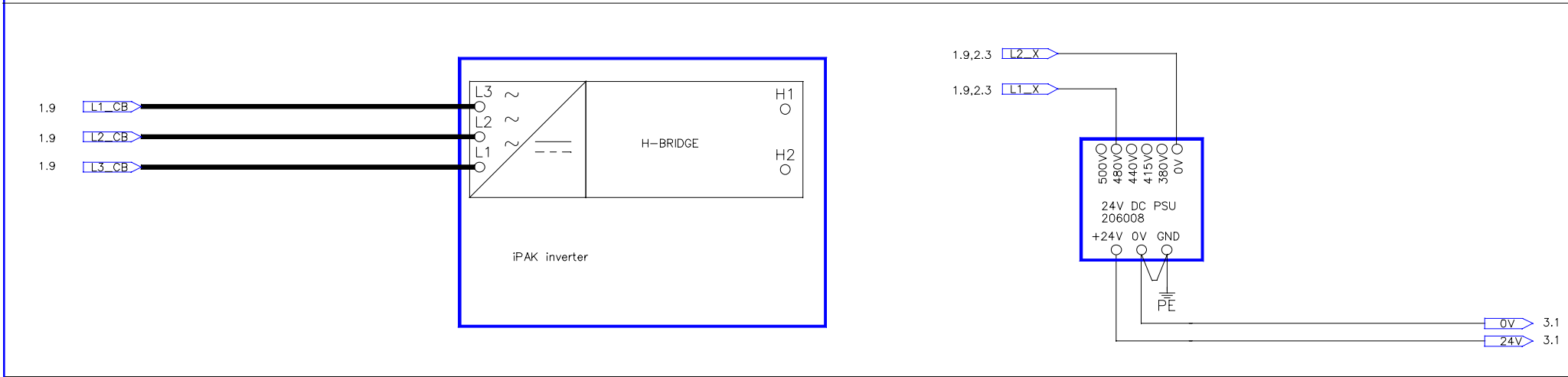
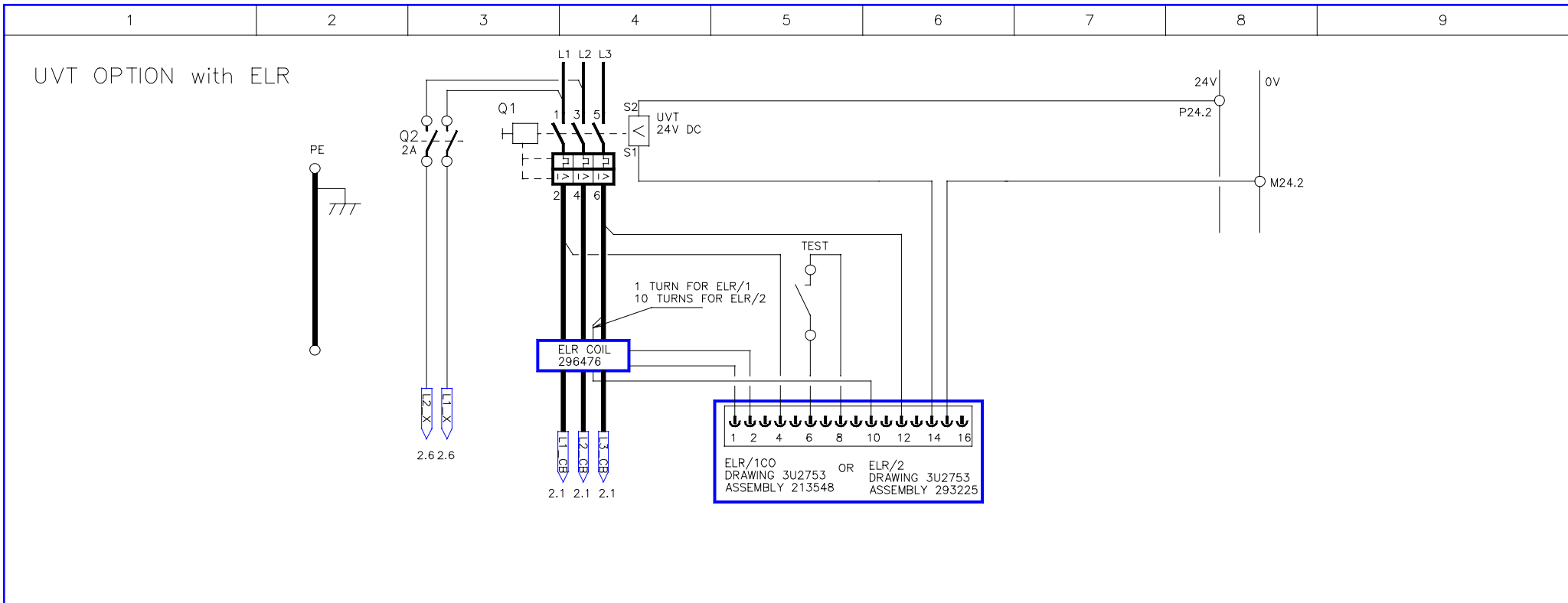


DATE:	14-11-11
DRAWN:	K.C.
CHECKED:	

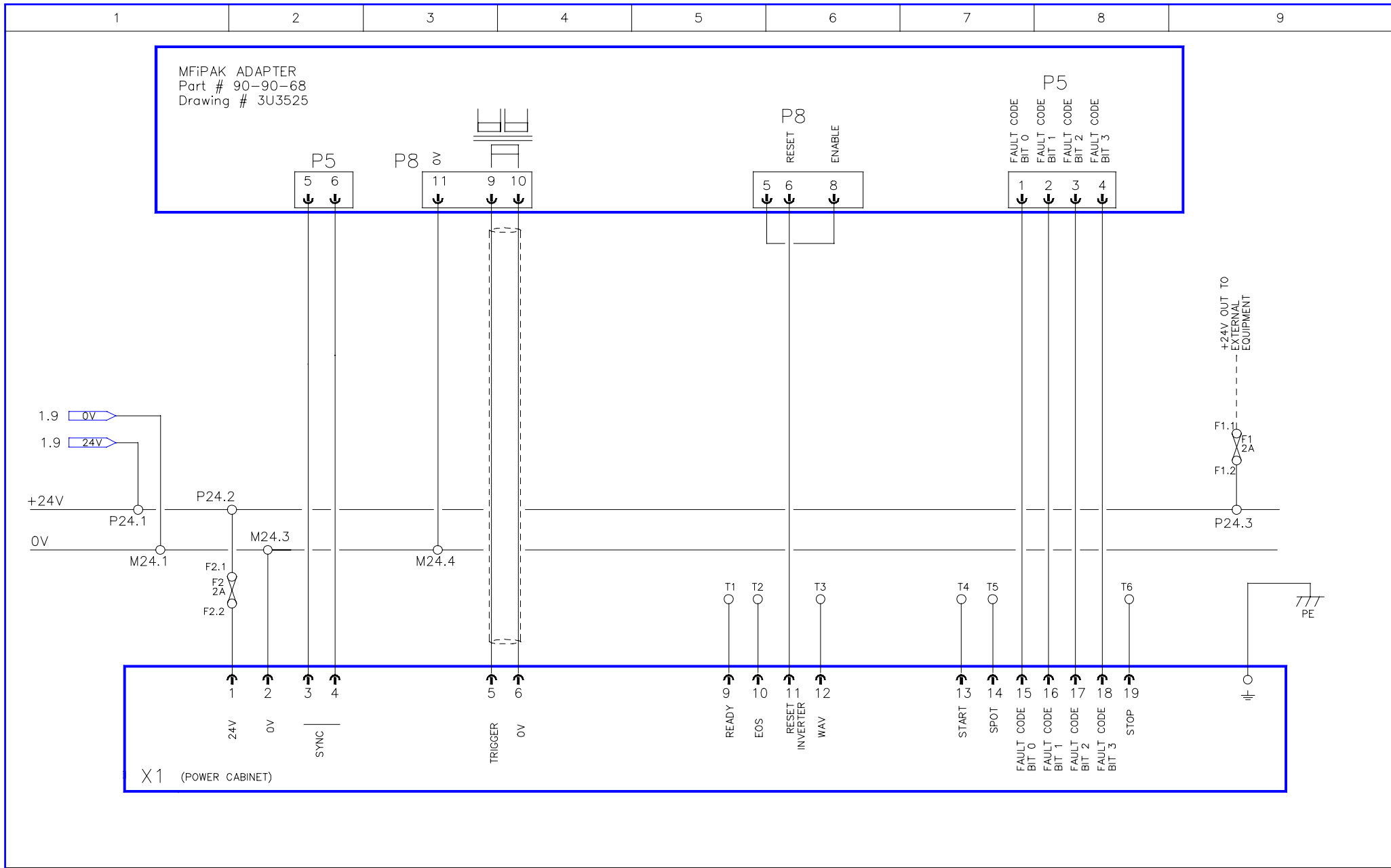
BF ENTRON LTD

TITLE: WS700B (external) MFIPAK CAB WIRING

DRAWING No:	3U3576
ISSUE No:	1
SHEET No:	1 of 5



DATE:	14-11-11	BF ENTRON LTD	TITLE: WS700B (external) MFiPAK CAB WIRING	DRAWING No: 3U3576		
DRAWN:	K.C.			ISSUE No: 1	SHEET No:2 of 5	
CHECKED:						

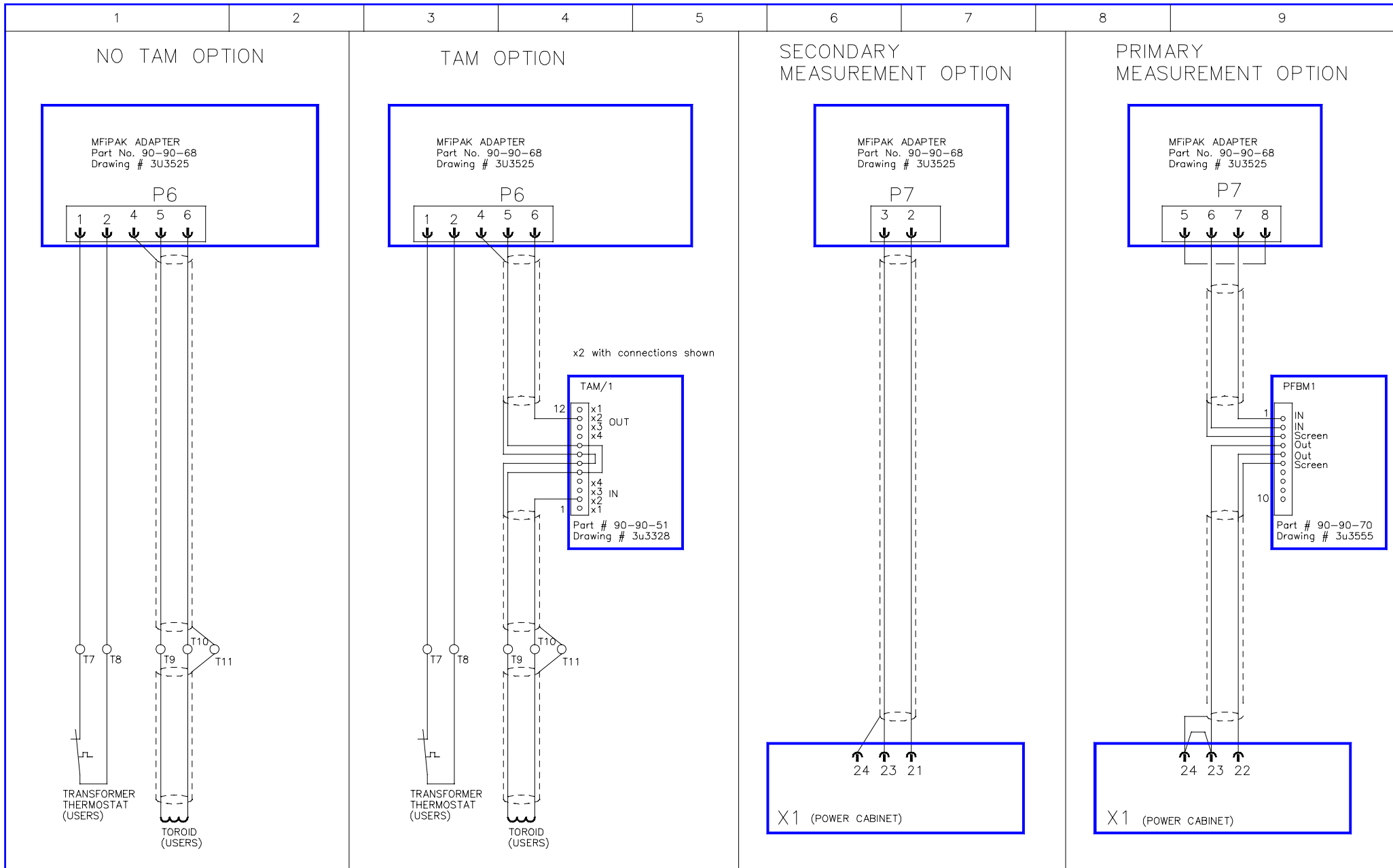


DATE:	14-11-11
DRAWN:	K.C.
CHECKED:	

BF ENTRON LTD

TITLE: **WS700B (external) MFIPAK CAB WIRING**

DRAWING No:	3U3576
ISSUE No:	1
SHEET No:	3 of 5

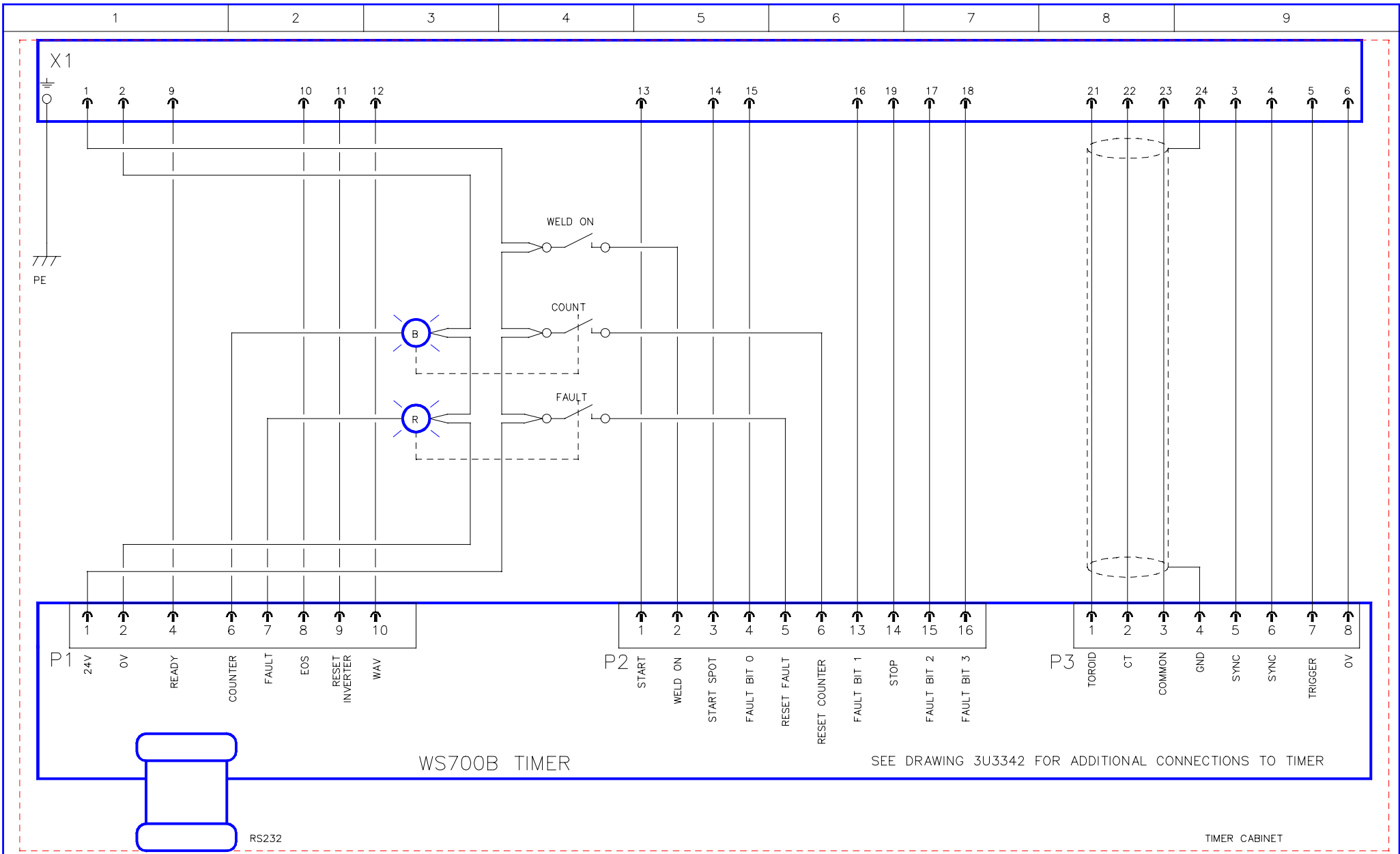


DATE:	14-11-11
DRAWN:	K.C.
CHECKED:	

BF ENTRON LTD

TITLE: WS700B (external) MFIPAK CAB WIRING

DRAWING No:	3U3576
ISSUE No:	1
SHEET No:	4 of 5



DATE:	14-11-11
DRAWN:	K.C.
CHECKED:	

BF ENTRON
LTD

TITLE: WS700B (external)
MFiPAK CAB WIRING

DRAWING No:	3U3576
ISSUE No:	1
SHEET No:	5 of 5