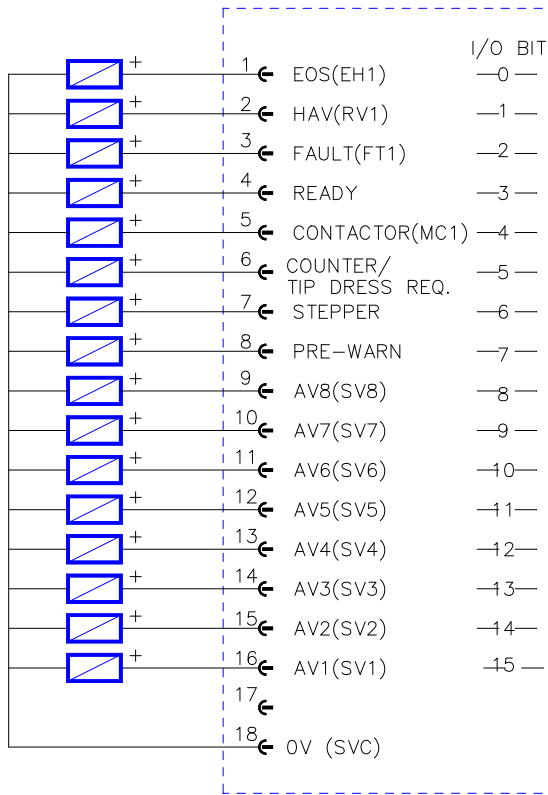
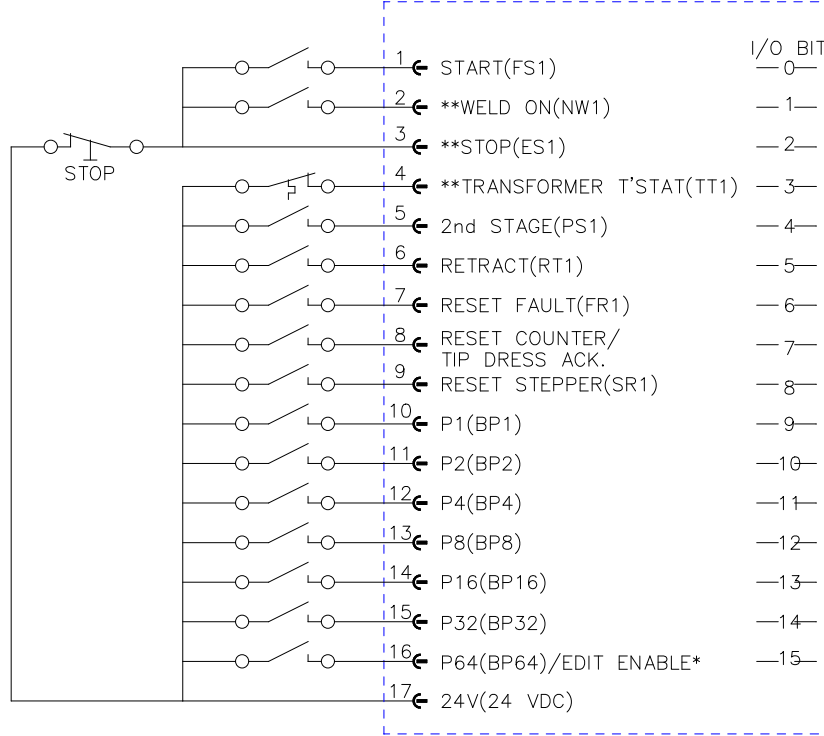


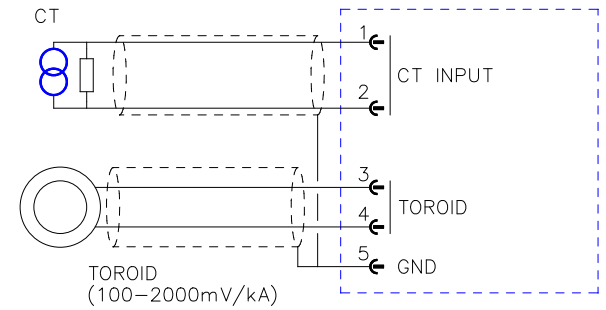
X2 OUTPUTS



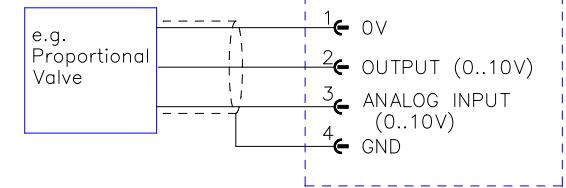
X3 INPUTS



X4 SENSORS



X5 ANALOG



* Configurable EDIT ENABLE function on V1.12 onwards.

NOTES:

Outputs rated 500mA @ 24V DC.

** These inputs must be linked out if not used.

AWS designations shown in parenthesis.

DATE:	25-7-19
DRAWN:	K.C.
CHECKED:	

BF ENTRON LTD

TITLE: EN7000 series
USERS CONNECTIONS

DRAWING No:	3U3633
ISSUE No: 3	SHEET No: 1 of 1