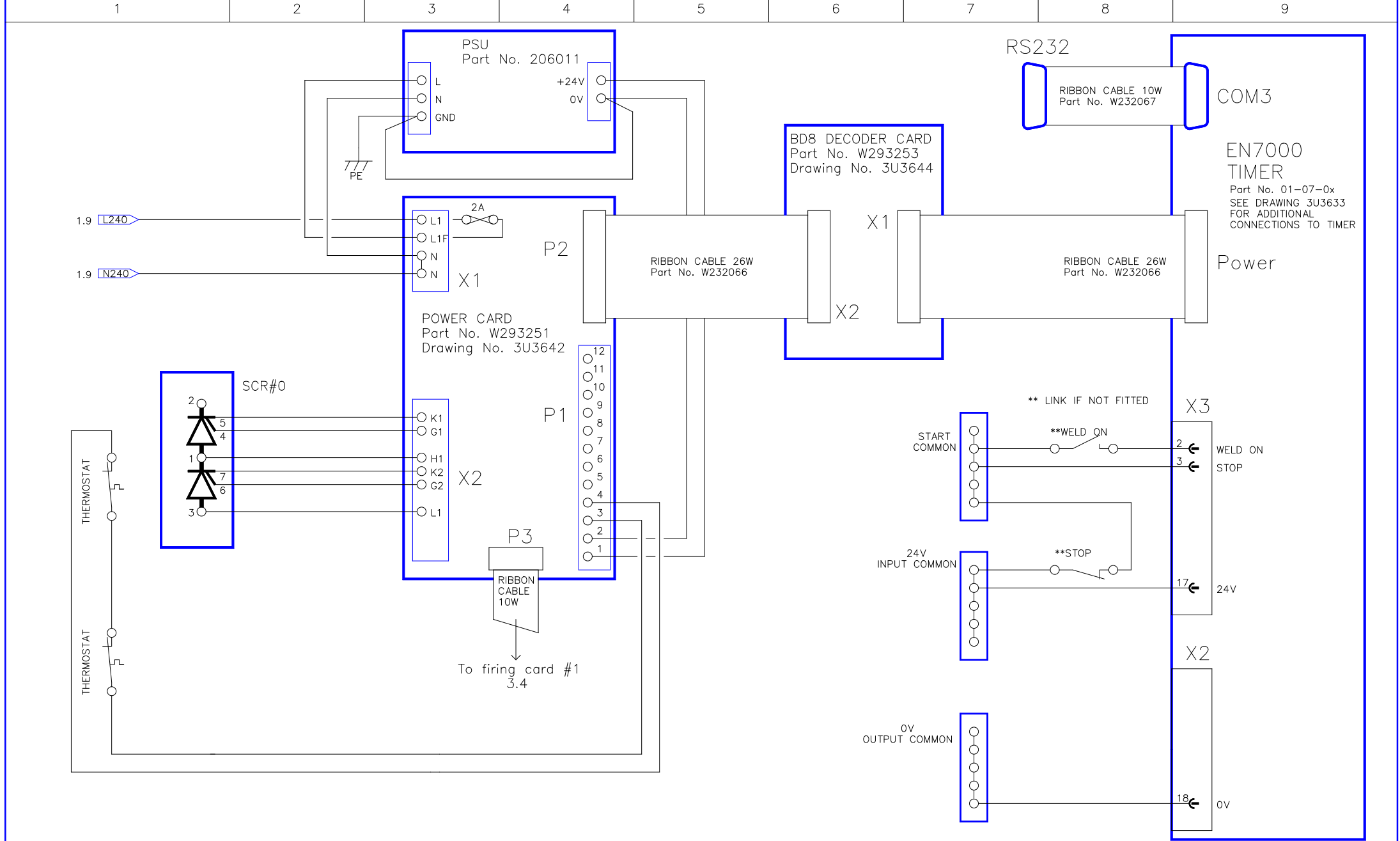


DATE:	24-5-17
DRAWN:	K.C.
CHECKED:	

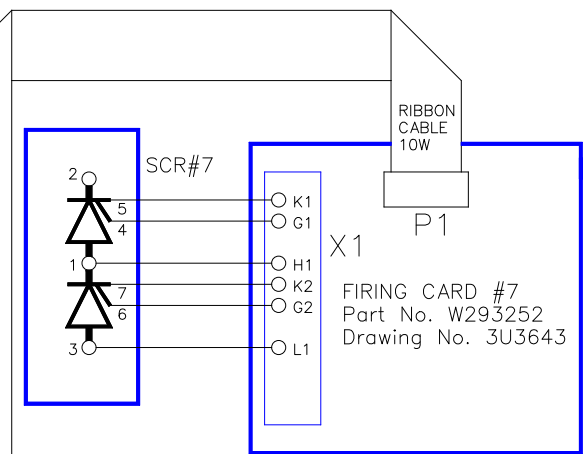
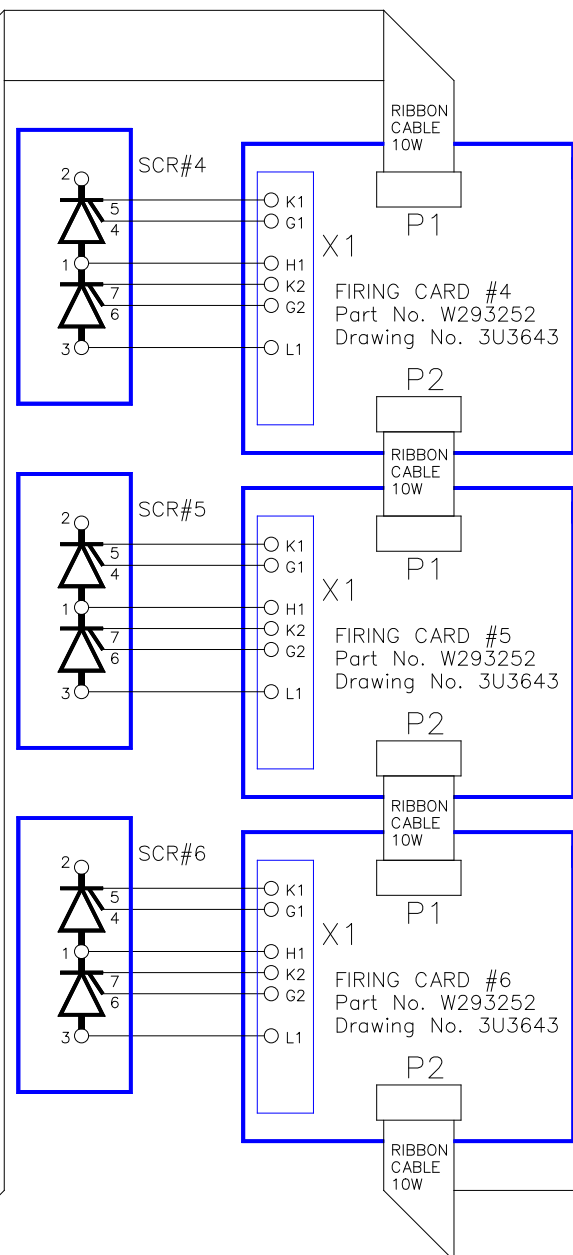
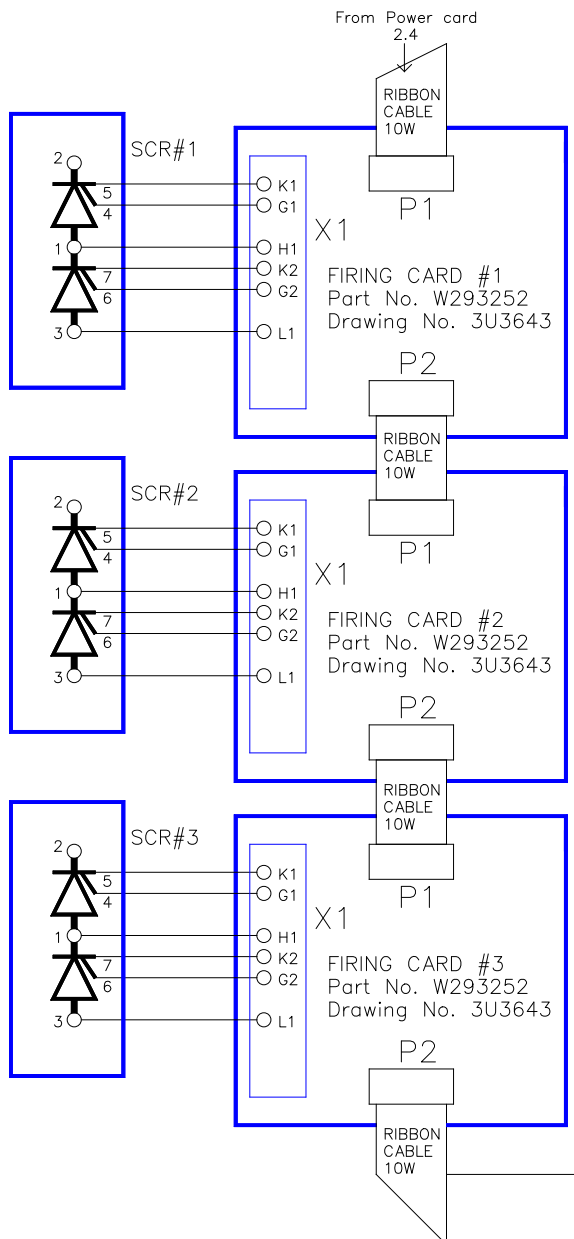
BF ENTRON LTD

TITLE: EN7000 8xSCR WIRING

DRAWING No:	3U3663
ISSUE No:	1
SHEET No:	1 of 3



DATE:	24-5-17	BF ENTRON LTD	TITLE:	EN7000 8xSCR WIRING	DRAWING No:	3U3663
DRAWN:	K.C.		ISSUE No:	1	SHEET No:	2 of 3
CHECKED:						



DATE:	24-5-17	BF ENTRON LTD	TITLE: EN7000 8xSCR WIRING	DRAWING No: 3U3663	
DRAWN:	K.C.			ISSUE No: 1	SHEET No:3 of 3
CHECKED:					