

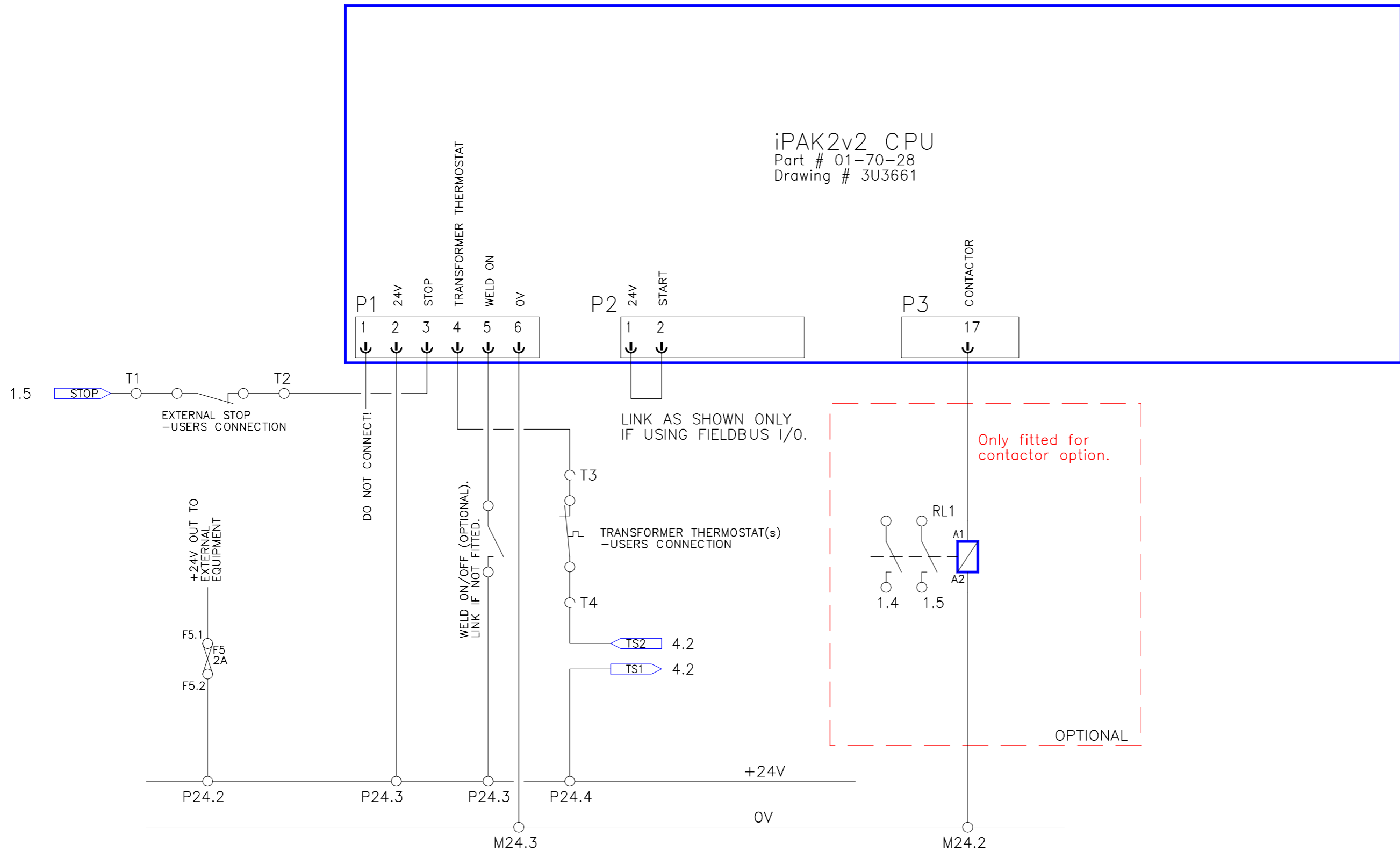
DATE:	9-6-21
DRAWN:	E.D.
CHECKED:	K.H. S.H.

BF ENTRON
LTD

TITLE: iPAK2v2 MUX
WIRING DIAGRAM

DRAWING No:	3U3722
ISSUE No: 1	SHEET No: 1 of 4

iPAK2v2 CPU
 Part # 01-70-28
 Drawing # 3U3661



DATE:
 DRAWN:
 CHECKED:

9-6-21
 E.D.
 K.H. S.H.

BF ENTRON
 LTD

TITLE:

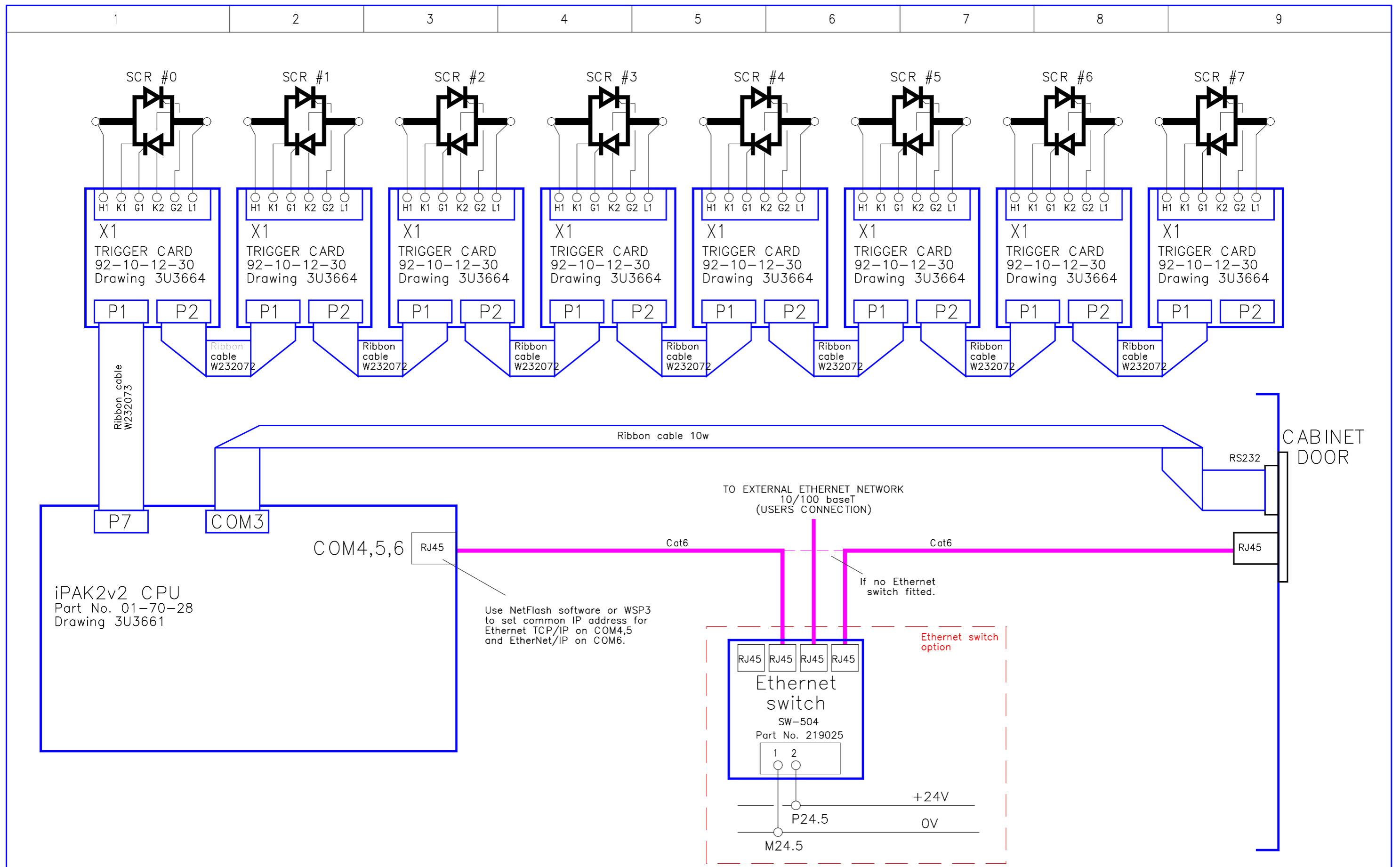
iPAK2v2 MUX
 WIRING DIAGRAM

DRAWING No:

3U3722

ISSUE No: 1

SHEET No: 2 of 4

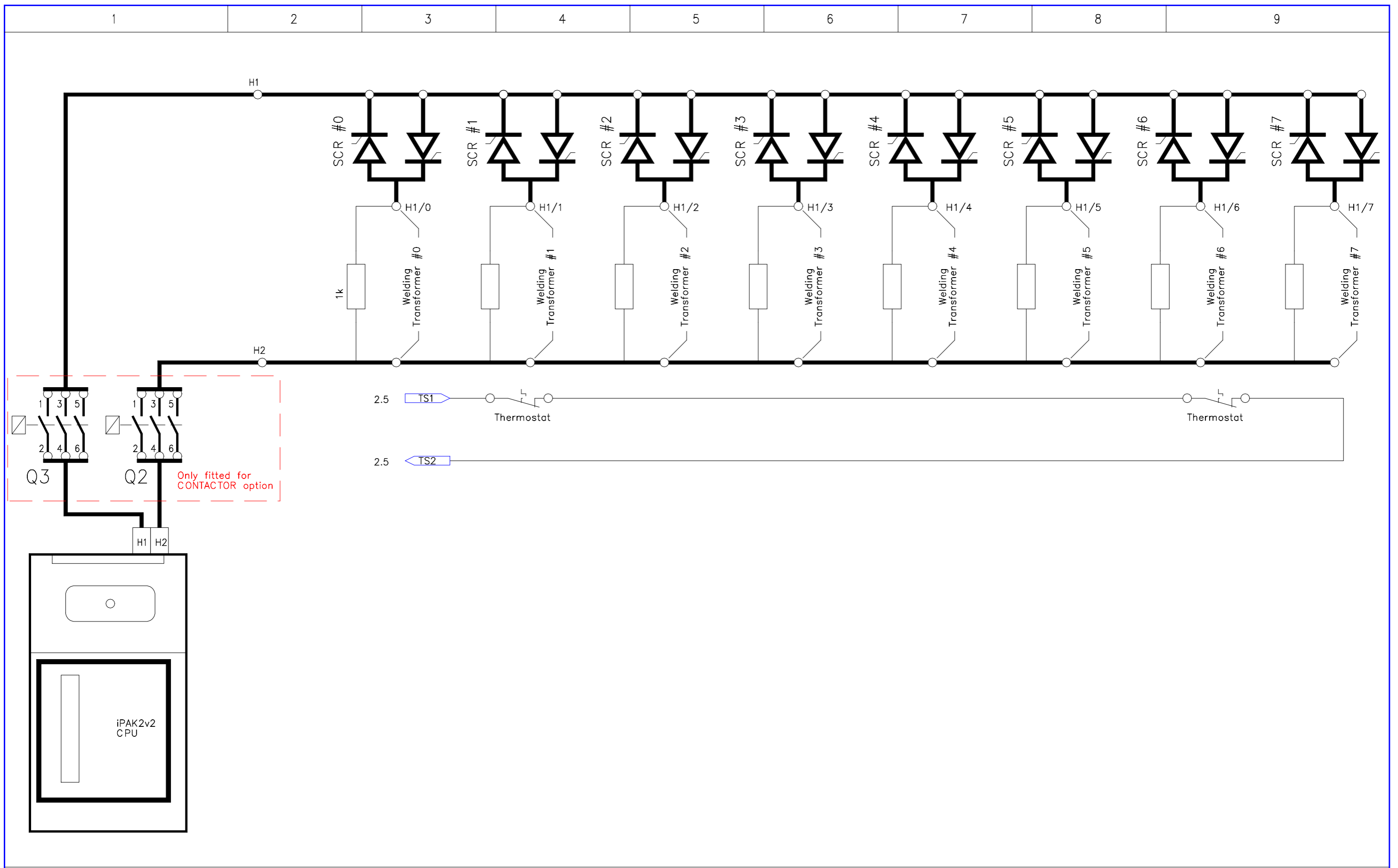


DATE:	9-6-21
DRAWN:	E.D.
CHECKED:	K.H. S.H.

BF ENTRON
LTD

TITLE: iPAK2v2 MUX
WIRING DIAGRAM

DRAWING No:	3U3722
ISSUE No:	1
SHEET No:	3 of 4



DATE:	9-6-21
DRAWN:	E.D.
CHECKED:	K.H. S.H.

BF ENTRON
LTD

TITLE: iPAK2v2 MUX
WIRING DIAGRAM

DRAWING No:	3U3722
ISSUE No: 1	SHEET No: 4 of 4