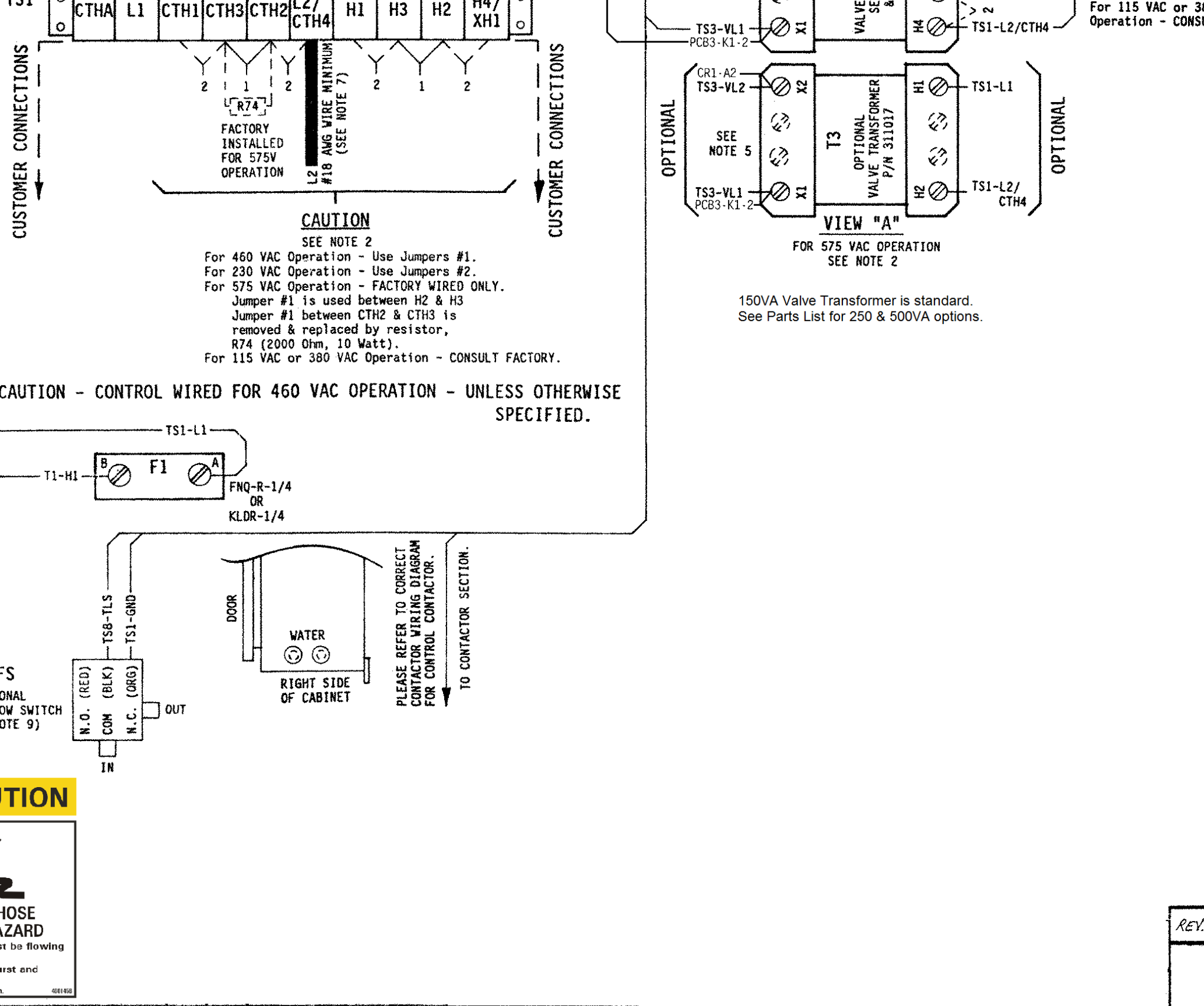
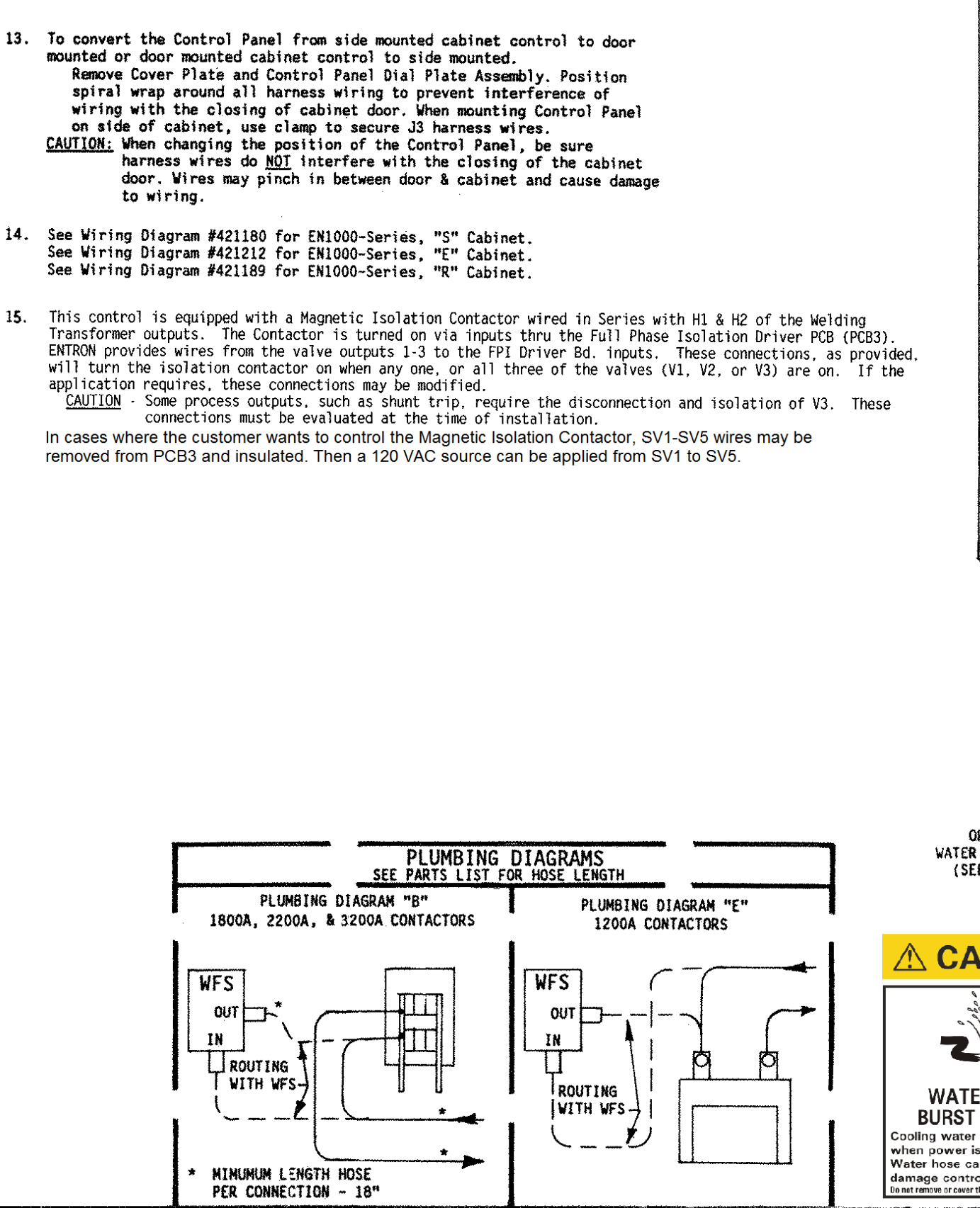
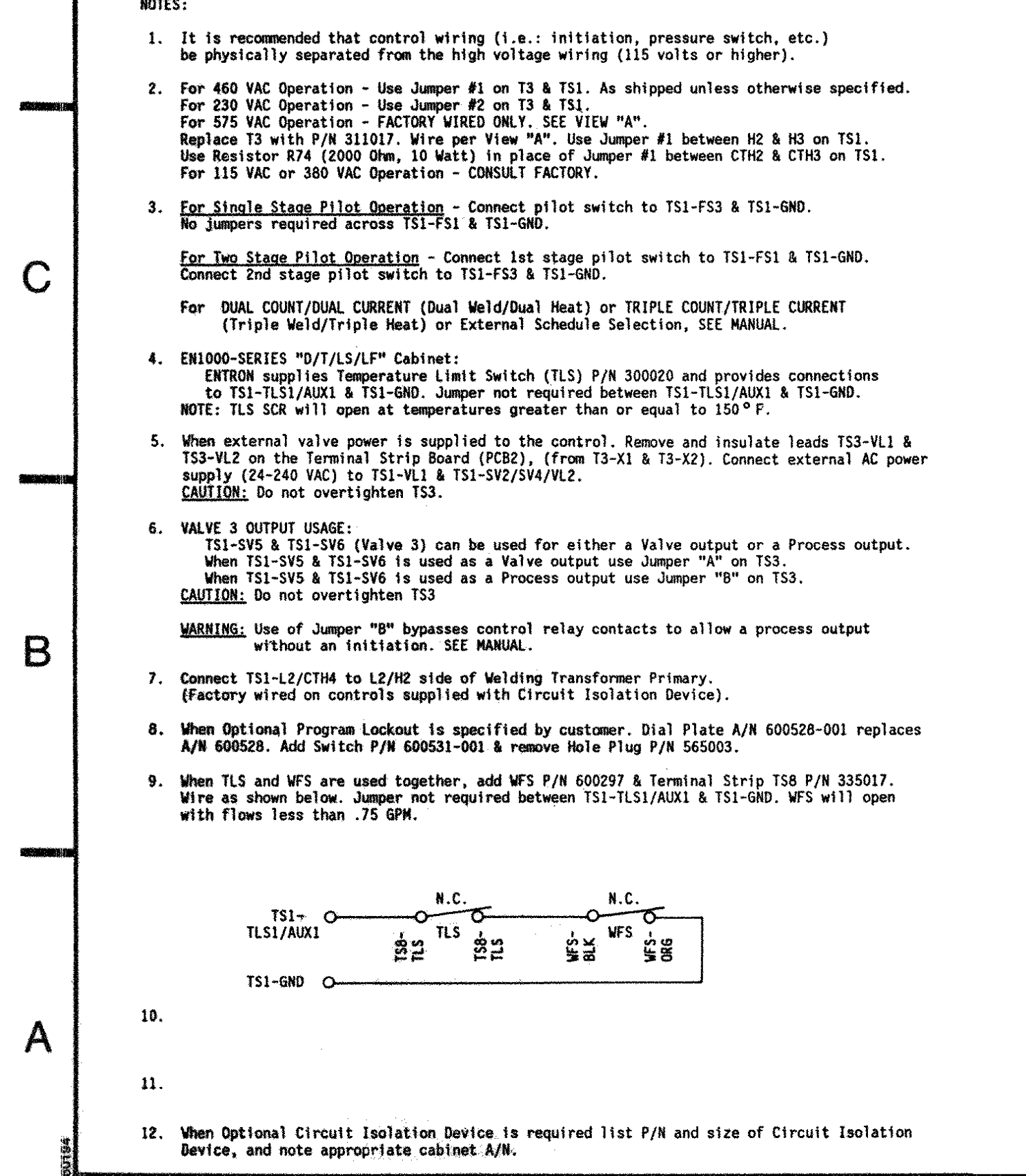
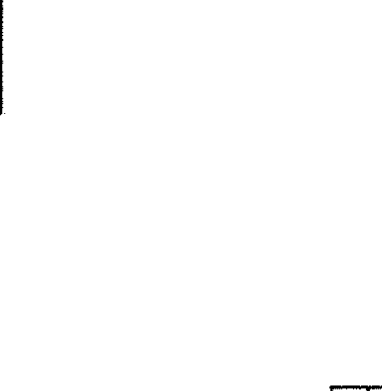
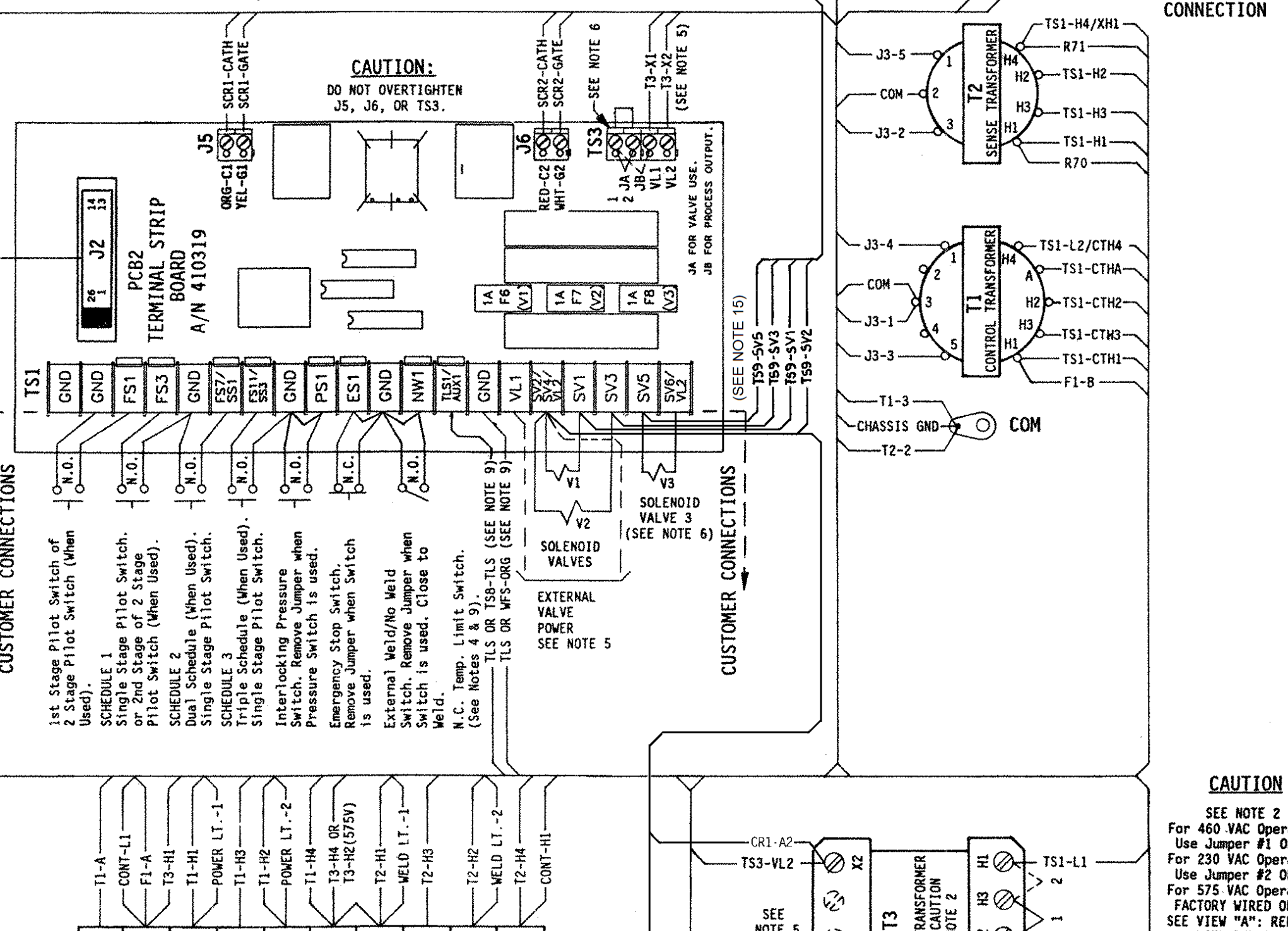
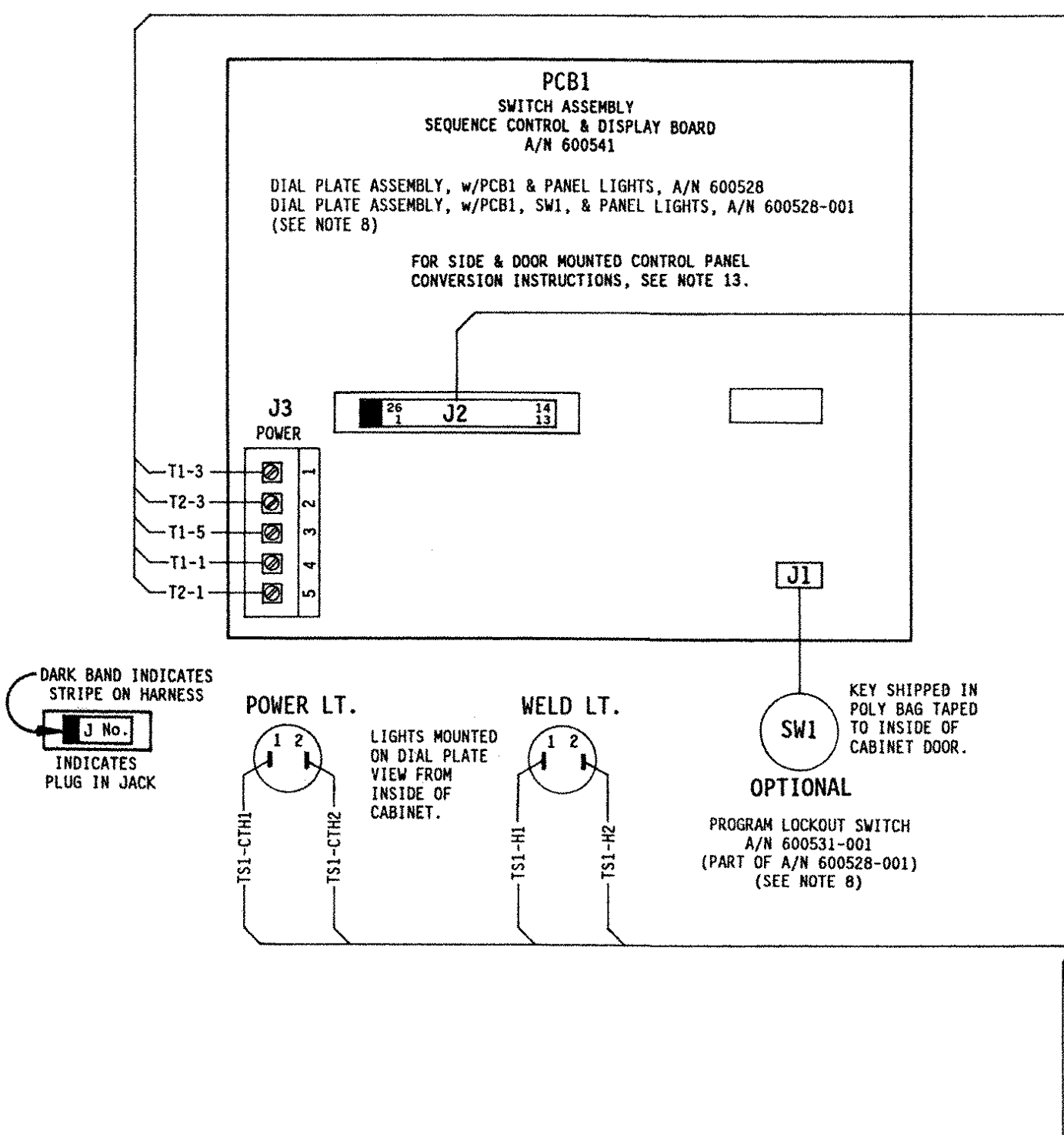
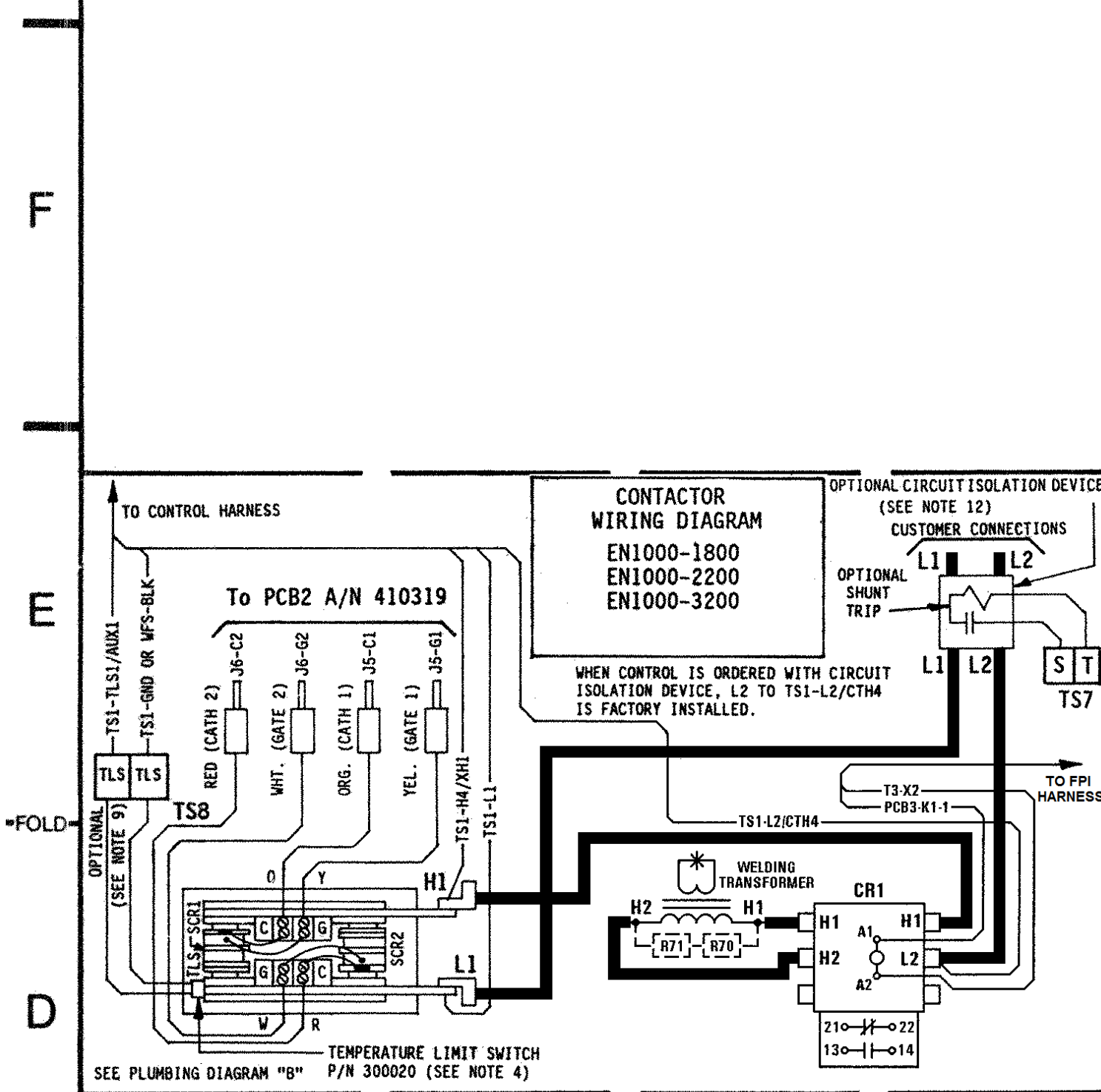
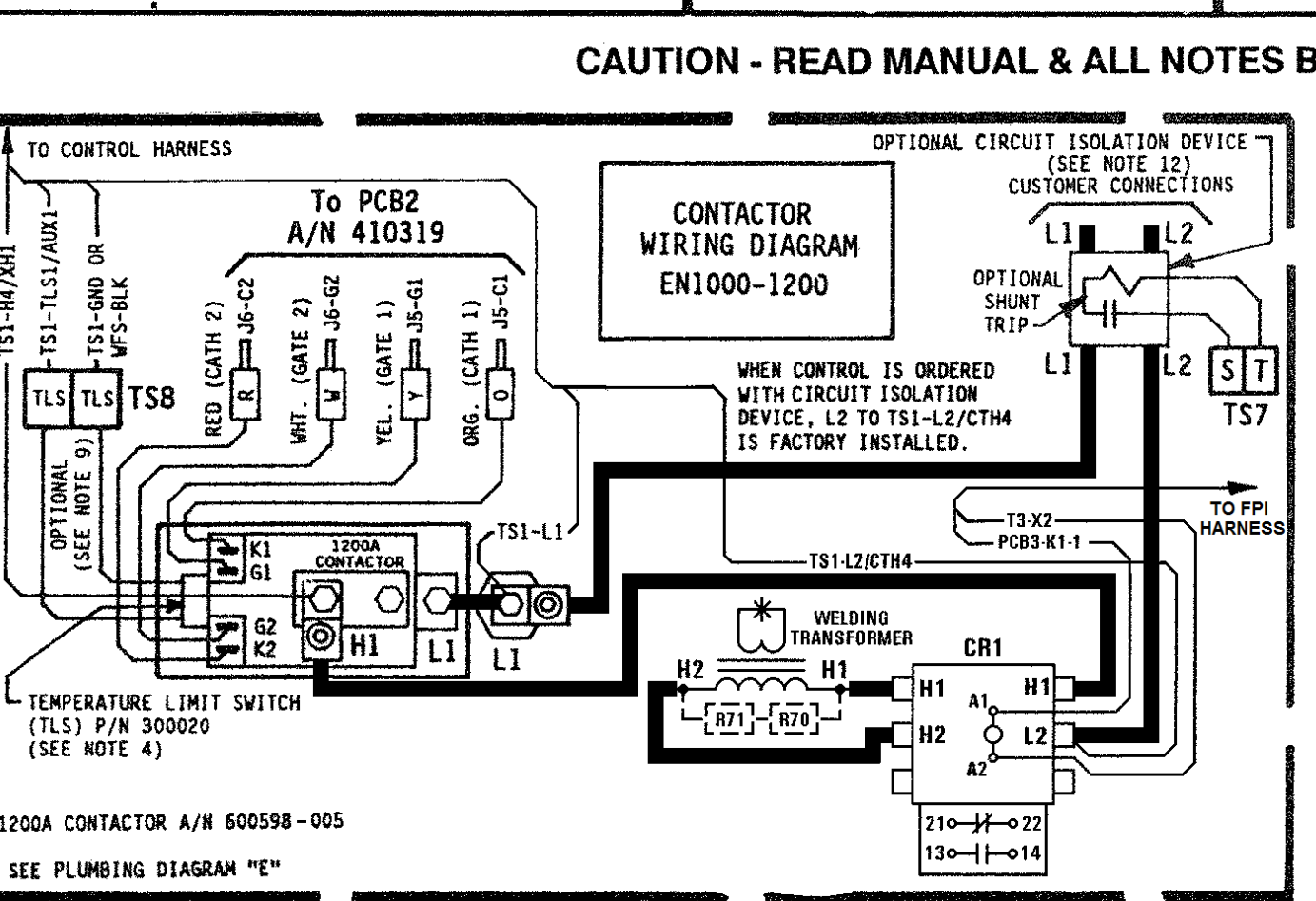
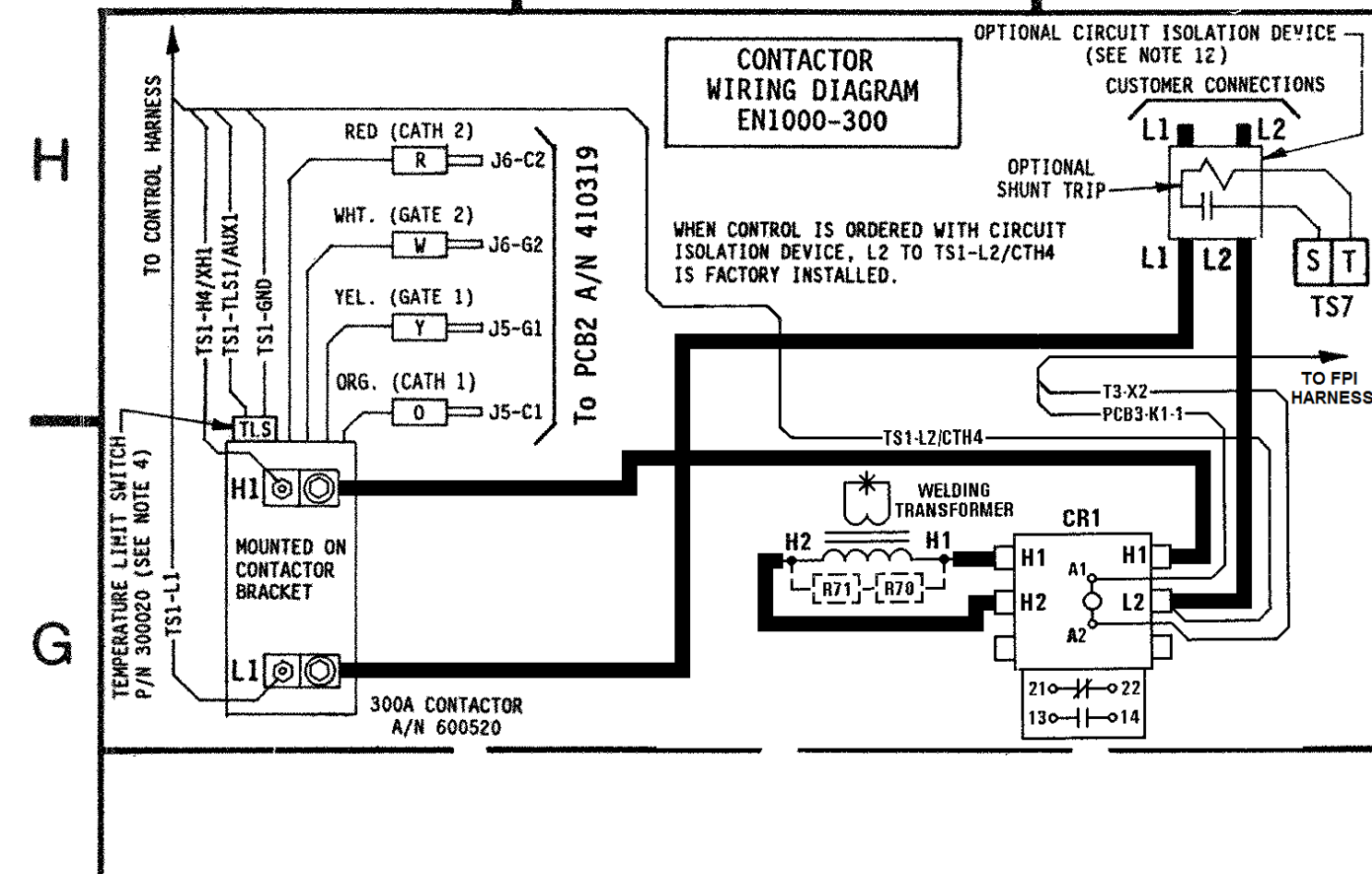


CAUTION - READ MANUAL & ALL NOTES BEFORE INSTALLING OR OPERATING CONTROL. SEE NOTE 1.
NO CIRCUIT CALIBRATION OR ADJUSTMENT EVER REQUIRED.

HAZARDOUS VOLTAGE
FROM ONE OR MORE SOURCES
Turn off all voltage sources before touching any components.
Electrical shock or blast will cause severe injury or death.
Do not touch any live parts.

NOTICE
FOR SERVICE ON THIS CONTROL
Contact Your Machine Dealer Or
ENTRON CONTROLS LLC
DIRECTLY: (864) 416-0190
601 HIGH TECH COURT
GREENSBORO, NC 27405
FAX# (864) 416-0195

421210-037 ORIG



Control Shipped Wired for 460 VAC Operation unless otherwise specified - See Note 2.

CAUTION: DO NOT OVERTIGHTEN J5, J6, OR TSS.

CAUTION: For 460 VAC Operation - Use Jumper #1 ONLY. For 230 VAC Operation - Use Jumper #2 ONLY. For 575 VAC Operation - FACTORY WIRED ONLY. See VIEW "A" to REPLACE T3 WITH P/N 311017.

CAUTION - CONTROL WIRED FOR 460 VAC OPERATION - UNLESS OTHERWISE SPECIFIED.

CAUTION
WATER HOSE BURST HAZARD
Cooling water must be flowing when power is on. Water hose can burst and cause damage to controls. Disconnect power before working on controls.

PARTS LIST - CONTROL SECTION		DESCRIPTION	
1	600528	Assem., Dial Plate, w/Scr. Assem., EN1000, Consisting of: Assem., Dial Plate, w/Scr. Assem. & Keylock, EN1000, Consisting of: Assem., Switch, Sequence Control & Display Board	
1	600531-001	Assem., Switch, Keylock, Momentary, SPST	
1	540251	Illustrated Panel, Dial Plate, EN1000	
1	515104	Panel, Display Window, Red Filter, EN1000	
1	565003	Hot Plug, 3/4" Diam., Black	
1	305001	Lamp, Neon, Red, 230V	
1	305002	Lamp, Neon, Clear, 230V	
1	322326	Assem., Harness, Ctrl Bd. to Term. Bd.	
1	322325	Assem., Harness, Power, EN1000	

PARTS LIST - CONTACTOR SECTION		DESCRIPTION	
1	335067	Terminal Strip, 10 Pin, (Part of J3 Harness)	
1	335044	Terminal Strip, 2 Pin	
1	335045	Terminal Strip, 2 Pin, (Part of 1800/2200A Cont. Assem's.)	
1	310001	Transformer, Control, (Part of J3 Harness)	
1	310002	Transformer, Sense, (Part of J3 Harness)	
1	311002	Transformer, Valve, 150VA	
1	311017	Transformer, Valve, 150VA 375V	
1	311022	Transformer, Valve, 250VA	
1	311021	Transformer, Valve, 500VA	
1	225016	Resistor, Power, Surge, 500 Ohm, 100W	
1	600048	Assem., Resistor, Power, 2000 Ohm, 10W, (For 575V)	
1	307024	Fuseholder, 1 Pole, Mini, 600V	
1	307024	Fuse, Control, 1/4A, FRC-1/A or KLDK-1/4	
1	307022	Fuse, 1 Amp, Slow Blow, 2AG, (Part of 410319)	
1	325024	Assem., Wire, Surge Resistor, 18 Ohm, Black (R70,71)	
1	325149	Assem., Wire, Valve Transformer, 22 Ohm, Black (T3)	
1	600520-005	Assem., Contactor, Thyristor, Air, 300A, 460/575V, w/TL5	
1	600533-005	Assem., Contactor, SCR, Water, 1800A, 460/575V, w/TL5	
1	600533-003	Assem., Contactor, SCR, Water, 2200A, 460/575V, w/TL5	
1	600533-014	Assem., Contactor, SCR, Water, 3200A, 460/575V, w/TL5	
1	341040	Standoff, Insulator, 1200A Thyristor Contactor, L1	
1	325174	Assem., Wire, Contactor-L1 to Lug L1, 1200A Thyristor Cont.	
1	346002	Lug, Screw, 3/16 Bolt to 250 MCM (4/0) Wire, 1200A Cont., L1 & H1	
1	525035	Bracket, Mounting, PFI Driver Board	
1	410325-001	Assem., PCB, PFI Driver Bd.	
1	314049	Contactor, Isolation, 120V Coil, Size 3	
1	314033	Contactor, Isolation, 120V Coil, Size 4	
1	314042	Contactor, Isolation, 120V Coil, Size 5	
1	346004	Lug, Screw, Chassis GND, 2/0 Wire	
1	410319	Assem., PCB, Terminal Strip Board, EN1000	
1	510236	Plate, Mounting, Terminal Strip Board	
1	525035	Bracket, Mounting, 300A Thyristor Contactor	
1	525136	Plate, Mounting, 1800/2200A Contactors	
1	530021	Plate, Mounting, 1200A Contactors	
1	300020	Switch, Temperature Limit, (N.C.), (Part of 300A Contactor & 1800/2200A Contactor Assem.'s)	
X	900045	Hose, 3/8" I.D.	
4	566010	Hose Clamp, 3/8" Hose	
2	600179	Assem., Water Fitting, 3/8" Hose	
2	600297	Assem., Water Flow Switch, 3/8" Hose	
1	550014	Vault Closing Door Mechanism, "D"/TL5/LF" Cabinet	
1	510247-005	Cabinet, Control, Style "D"/TL5, w/CB, Modified for 300A Cont.	
1	510247-006	Cabinet, Control, Style "D"/TL5, w/CB, Modified for 2200A Cont.	
1	510257	Cabinet, Control, Style "LS/LF", w/CB	
1	510258	Door, Cabinet, Control, Style "LS/LF" Cabinet	
1	700120	Manual, EN1000	
1	421183	Logic Diagram, EN1000 Control	
1	421210-037	Wiring Diagram, EN1000-Series/FPIx, "D"/TL5/LF" Cabinet	

MANUFACTURING INSTRUCTIONS:
See Drawings #515112, #515114, #600552, & #600591 for Mechanical Assembly Instructions of EN1000 "LS/LF" Cabinet.
See Drawing #440190-001 for Mechanical Layout of "LS/LF" Cabinet Rear Panel and Circuit Breaker to L1 Contactor Cable Connections.
See Drawing #440093 for Crating Instructions of "LS/LF" Cabinet.
See Drawing #600582 for Mechanical Layout/Assem. of EN1000 "D"/TL5 Cabinet.
See Drawing #440386 for Inner Pack & Use Carton #50016 for "D"/TL5 Cabinet Packing Instructions.
See Drawing #600586 for Layout/Assem. of Front Panel.

REV	AUTH	DESCRIPTION	DRWN BY	CHK BY	DATE

ENTRON CONTROLS INC

SCALE	DATE	DRWN BY	CHK'D BY	APPROVED BY

WIRING DIAGRAM, EN1000-SERIES/FPIx, "D", "TL5", "LS", or "LF" CABINET

REV	AUTH	DESCRIPTION	DRWN BY	CHK BY	DATE

421210-037 ORIG