

WARNING: HIGH VOLTAGE

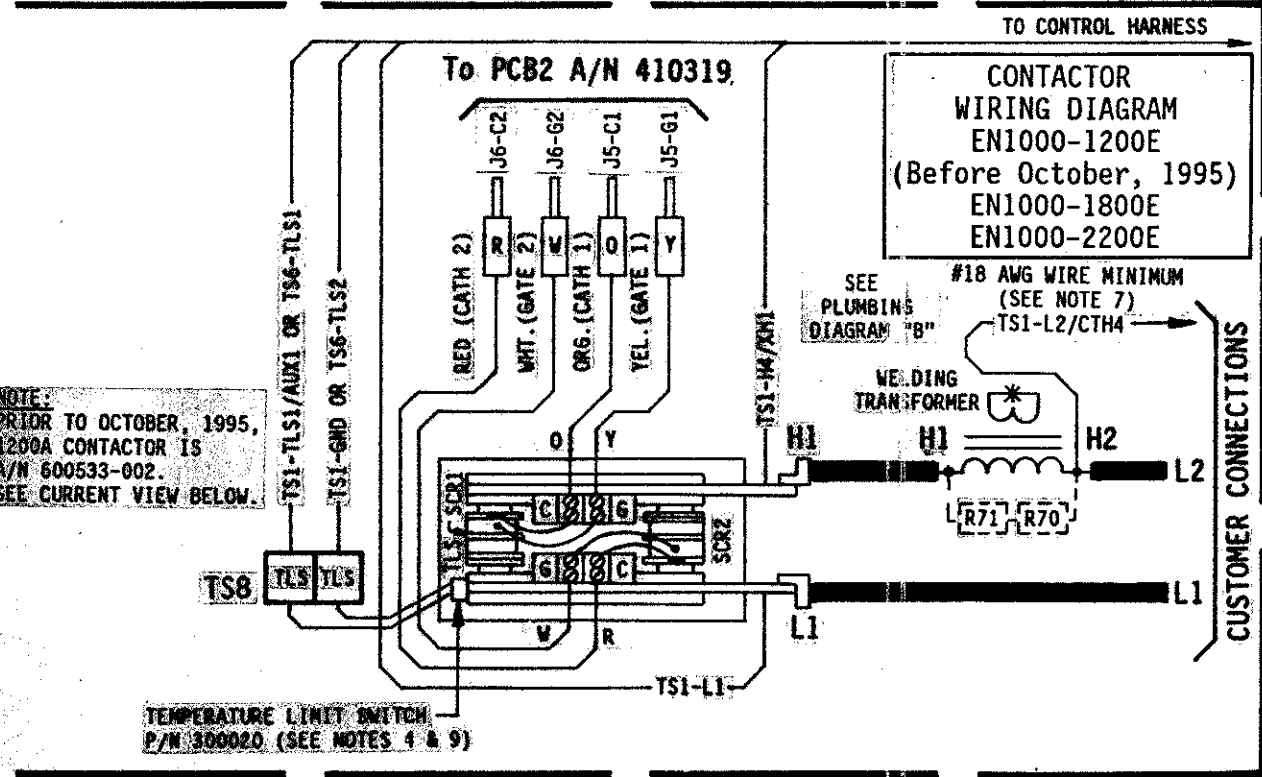
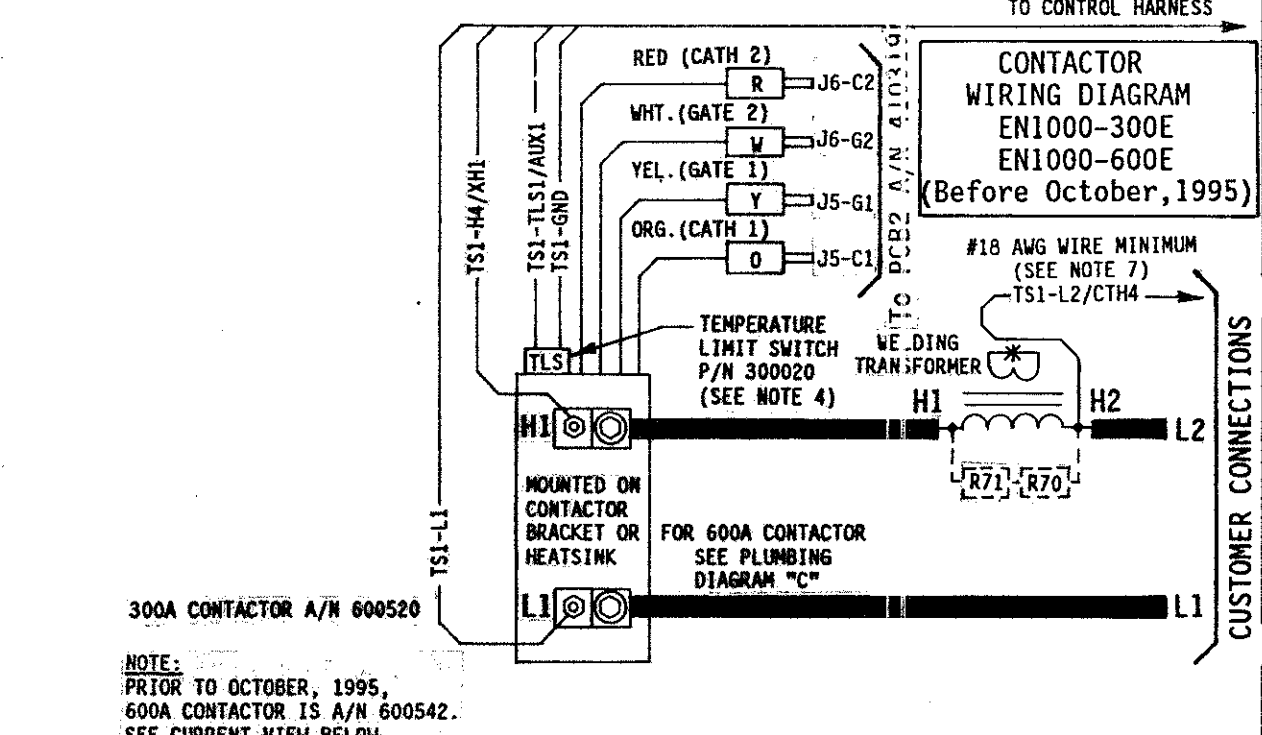
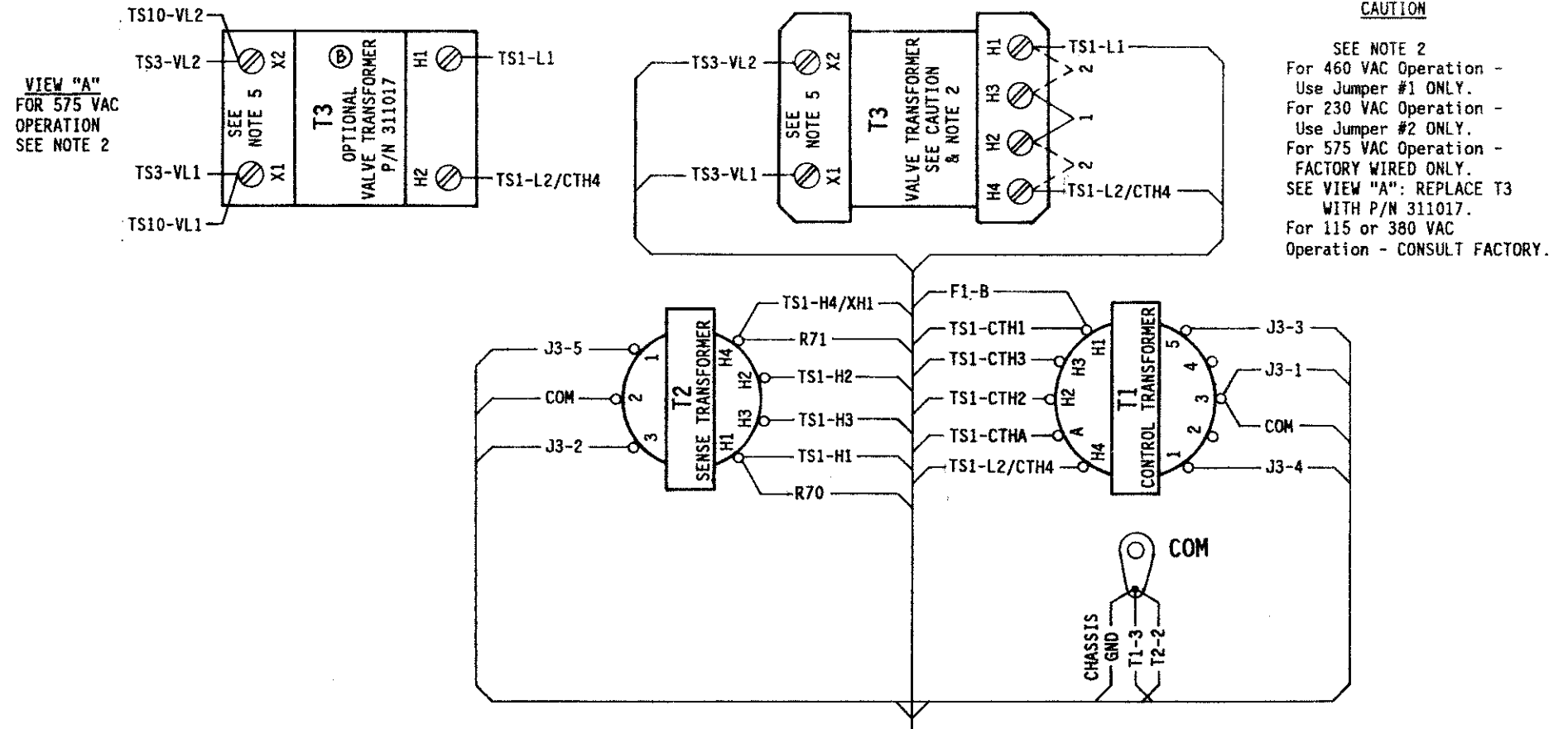
VOLTAGES PRESENT IN THIS CONTROL CAN CAUSE SEVERE OR FATAL INJURIES. NOTE: EVEN THOUGH SUPPLY POWER TO THIS UNIT HAS BEEN DISCONNECTED, THERE MAY BE VOLTAGES IN THIS CONTROL ORIGINATING FROM OTHER SOURCES.

CAUTION Control Shipped Wired for 460 VAC Unless otherwise specified - See Note 2.

CAUTION DO NOT OPERATE WITHOUT WATER ON

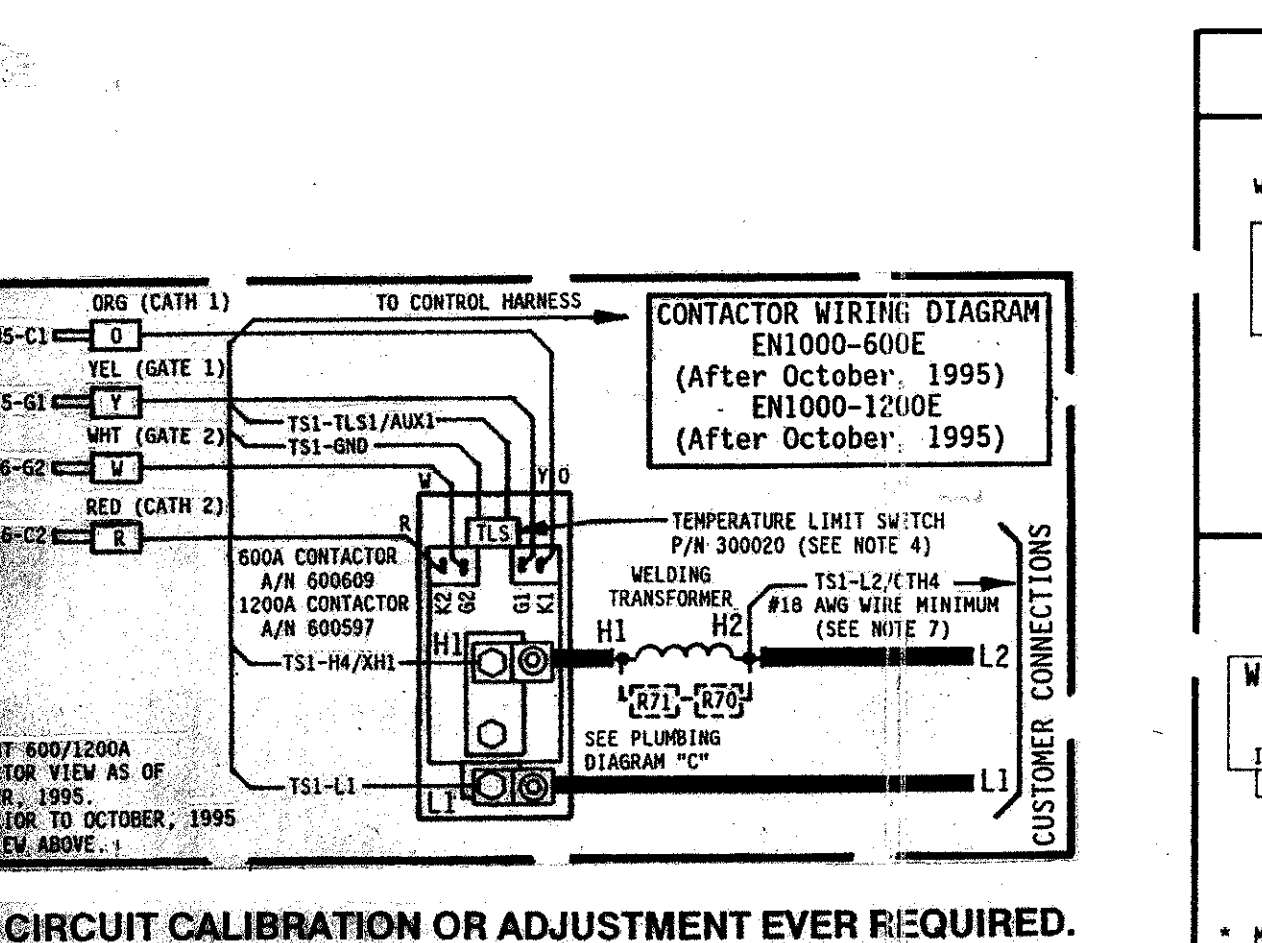
POWER ON WITHOUT WATER FLOW MAY CAUSE DAMAGE TO CONTROL. TURN POWER OFF WHEN CONTROL IS NOT IN USE.

CAUTION - READ MANUAL & ALL NOTES BEFORE INSTALLING OR OPERATING CONTROL. SEE NOTE 1.

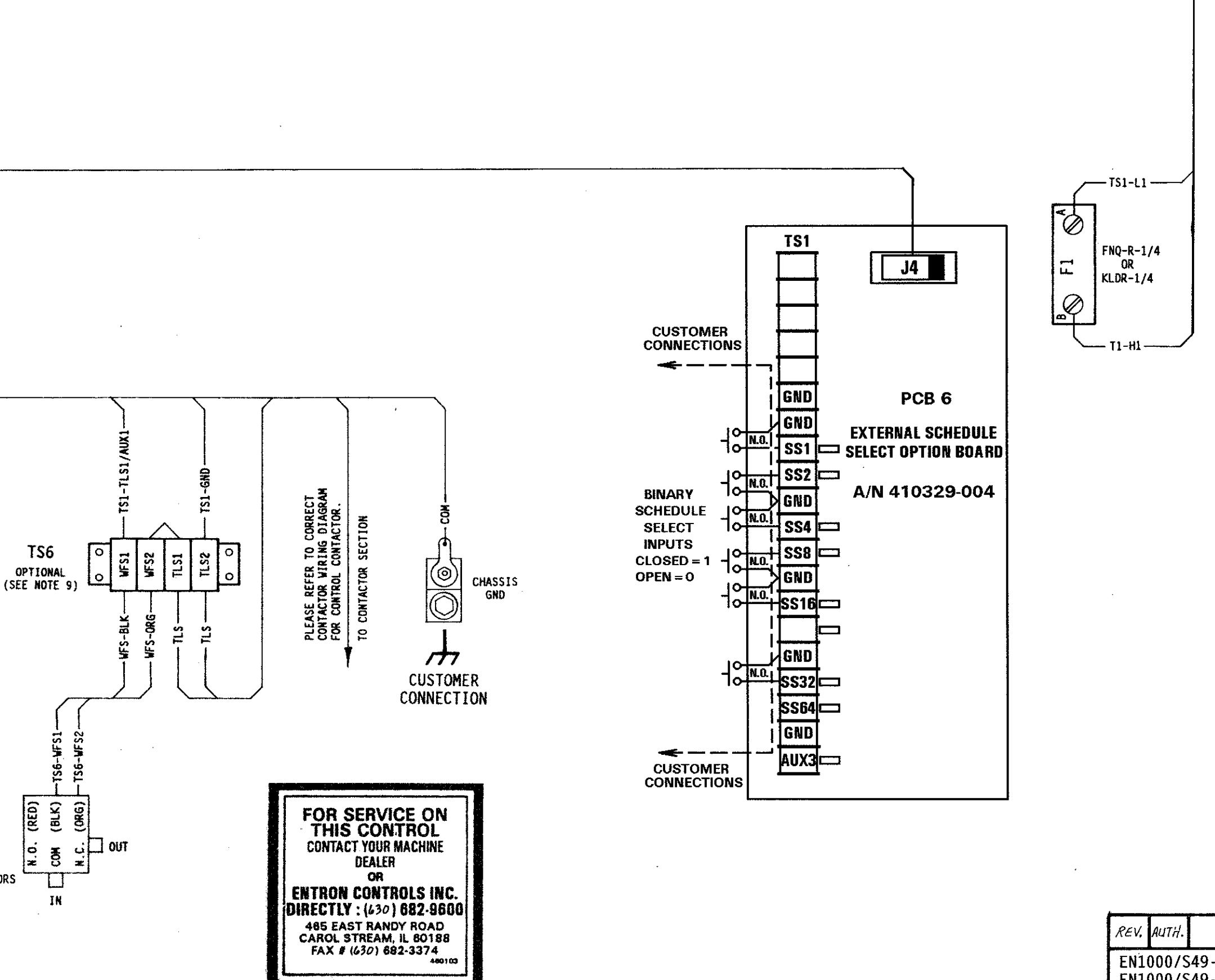
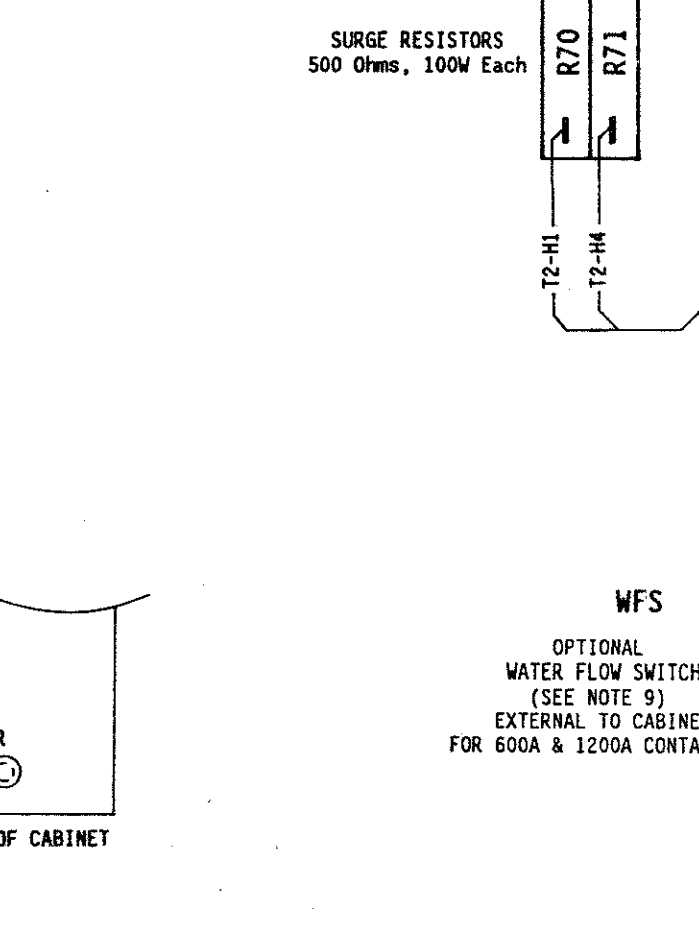
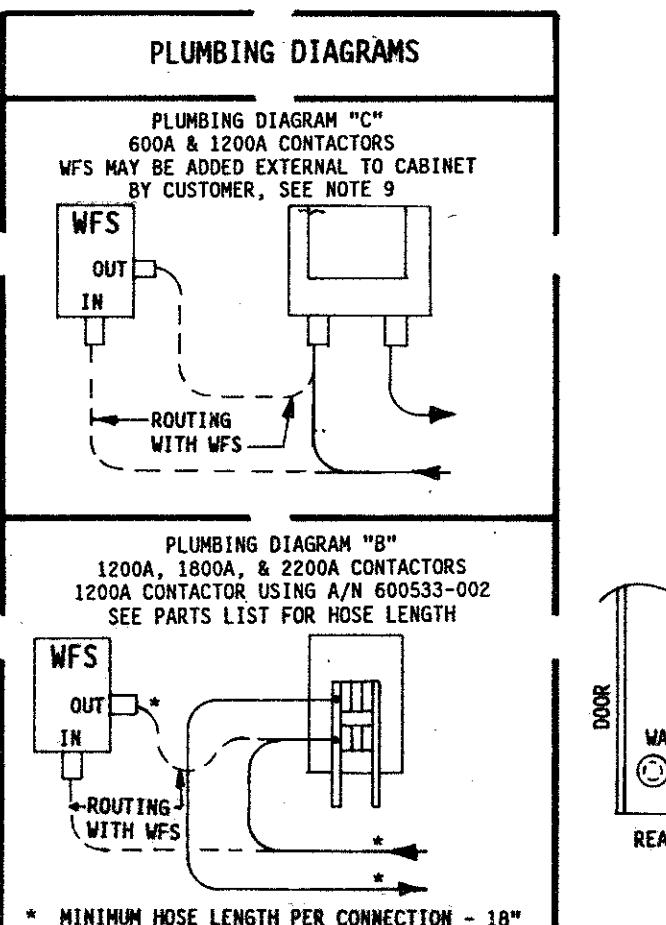
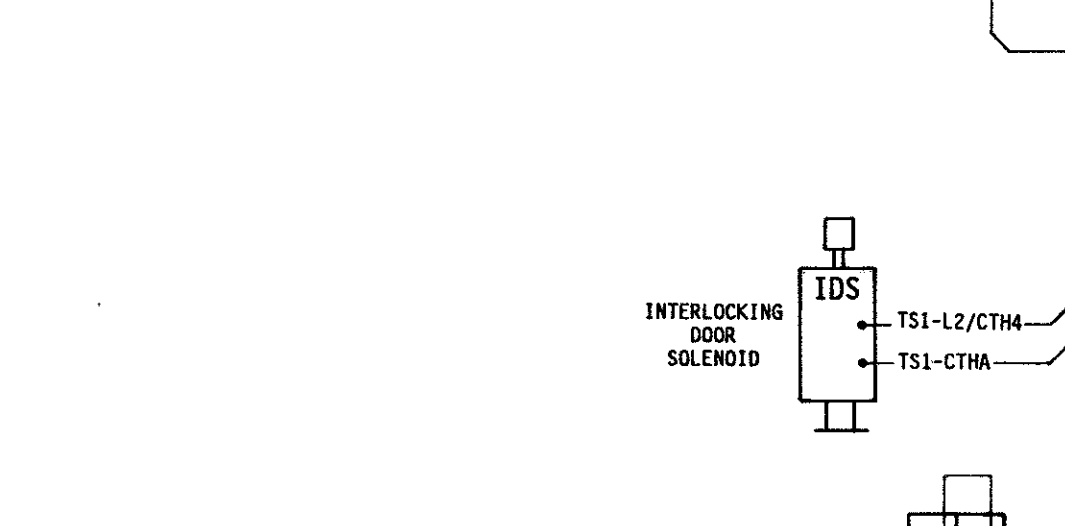
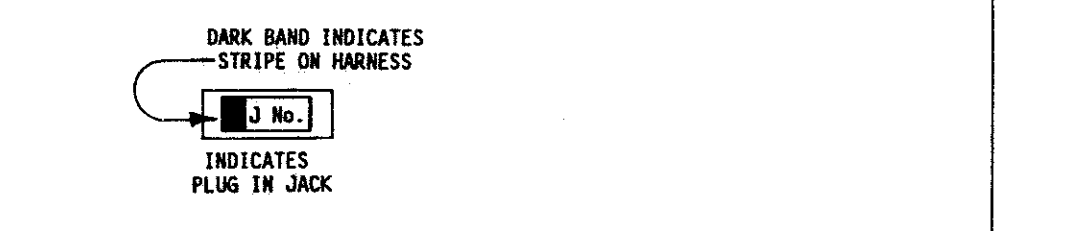
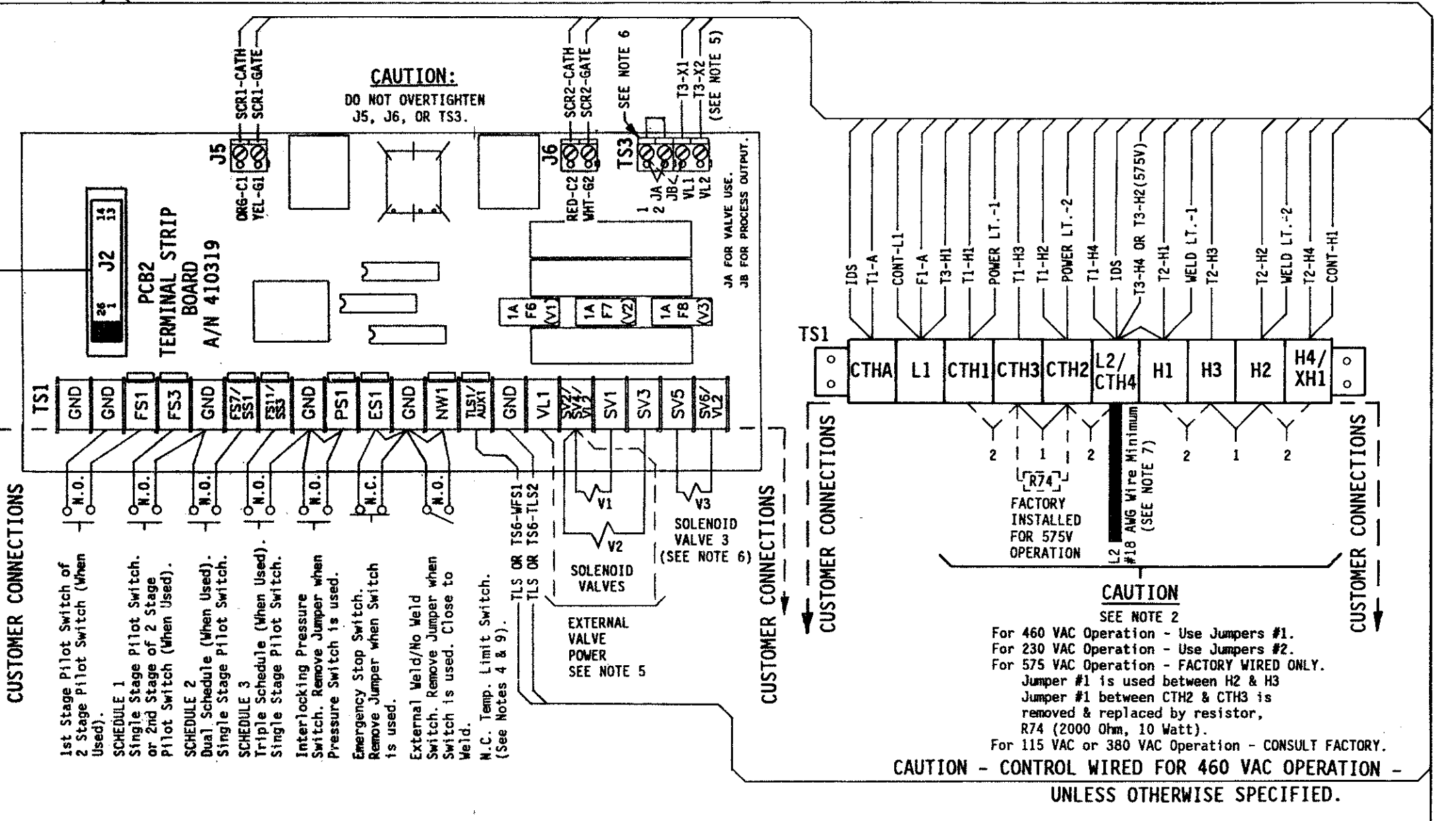
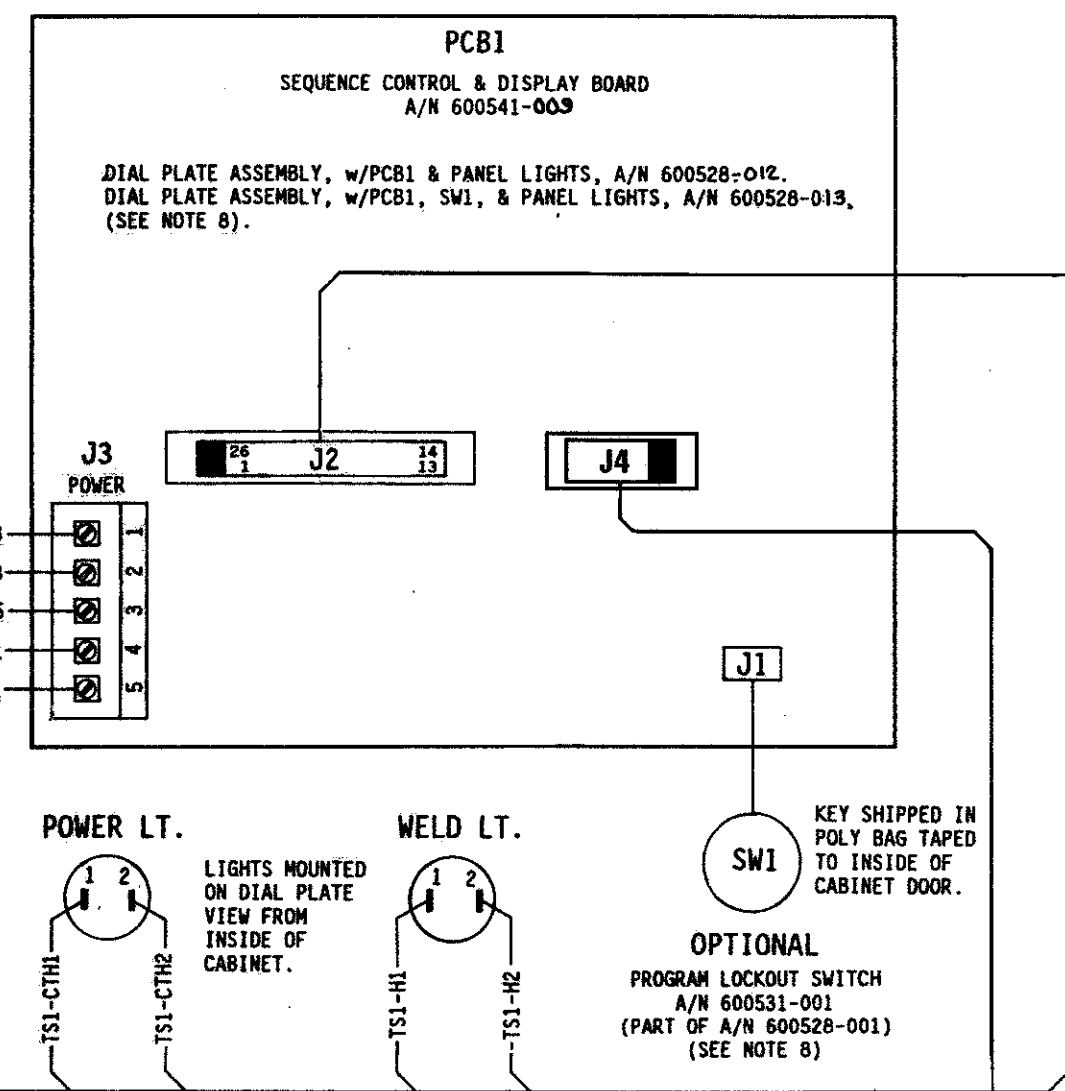


It is recommended that control wiring (i.e.: initiation, pressure switch, etc.) be physically separated from the high voltage wiring (115 volts or higher). For 460 VAC Operation - Use Jumper #1 on T3 & TS1. As shipped unless otherwise specified. For 230 VAC Operation - Use Jumper #2 on T3 & TS1. For 575 VAC Operation - FACTORY WIRED ONLY. SEE VIEW "A". Replace T3 with P/N 311017. Wire per View "A". Use Jumper #1 between H2 & H3 on TS1. Use Resistor R74 (2000 Ohm, 10 Watt) in place of Jumper #1 between CTH2 & CTH3 on TS1. For 115 VAC or 380 VAC Operation - CONSULT FACTORY.

When external valve power is supplied to the control. Remove and insulate leads TS3-VL1 & TS3-VL2 on the Terminal Strip Board (PCB2). (From T3-X1 & T3-X2). Connect external AC power supply (240 VAC) to TS1-VL1 & TS1-SV2/SV4/VL2. CAUTION: Do not over-tighten TS3. VALVE 3 OUTPUT USAGE: TS1-SV5 & TS1-SV6 (Valve 3) can be used for either a Valve output or a Process output. When TS1-SV5 & TS1-SV6 is used as a Valve output use Jumper "A" on TS3. When TS1-SV5 & TS1-SV6 is used as a Process output use Jumper "B" on TS3. CAUTION: Do not over-tighten TS3.



NO CIRCUIT CALIBRATION OR ADJUSTMENT EVER REQUIRED.



FOR SERVICE ON THIS CONTROL CONTACT YOUR MACHINE DEALER OR ENTRON CONTROLS INC. DIRECTLY: (630) 882-8800 485 EAST RANDY ROAD CAROL STREAM, IL 60188 FAX (630) 882-3374

Table with columns: QTY, DESIG, PART NO., DESCRIPTION. Lists various components like PCB1, SW1, J4-J4, PMR LT., WLD LT., J2-J2, J3-J3, TS10-T3, TS1, TS8, TS6, R74, T1, T2, T3, F1, F2, F3, F4, F5, F6, F7, F8, F9, F10, F11, F12, F13, F14, F15, F16, F17, F18, F19, F20, F21, F22, F23, F24, F25, F26, F27, F28, F29, F30, F31, F32, F33, F34, F35, F36, F37, F38, F39, F40, F41, F42, F43, F44, F45, F46, F47, F48, F49, F50, F51, F52, F53, F54, F55, F56, F57, F58, F59, F60, F61, F62, F63, F64, F65, F66, F67, F68, F69, F70, F71, F72, F73, F74, F75, F76, F77, F78, F79, F80, F81, F82, F83, F84, F85, F86, F87, F88, F89, F90, F91, F92, F93, F94, F95, F96, F97, F98, F99, F100.

Optional Keylock when specified by customer. See Note 8. Pack Key in Poly bag 900148 & attach to Door w/Yellow Tape 90018. X Optional when specified by customer. See Notes 4 & 9. * Substitution or addition of parts when 575V control is specified. + Optional Water Flow Switch Assembly. An additional (1) inch (") of hose, P/N 900045 and two (2) hose clamps, P/N 566010, are to be supplied. See Note 9. See Drawing #440449 for Customer Mounting & Knockout Detail "E" Cabinet.

MANUFACTURING INSTRUCTIONS: See Drawing #440445 for Packing Instructions "E" Cabinet. See Drawing #440448 for Label Locations "E" Cabinet. SEE DRAWING #600550, #600550-001, #600550-002, or #600550-003 FOR MECHANICAL ASSEMBLY INSTRUCTIONS.

Table with columns: REV, AUTH, DESCRIPTION, DATE, DRAWN BY, CHK'D BY, APPROVED BY. Includes ENTRON CONTROLS INC. logo and drawing information: WIRING DIAGRAM, EN1000/S49-SERIES, "E" CABINET, NEXT ASSM/USED ON, DRAWING NUMBER, REV.