

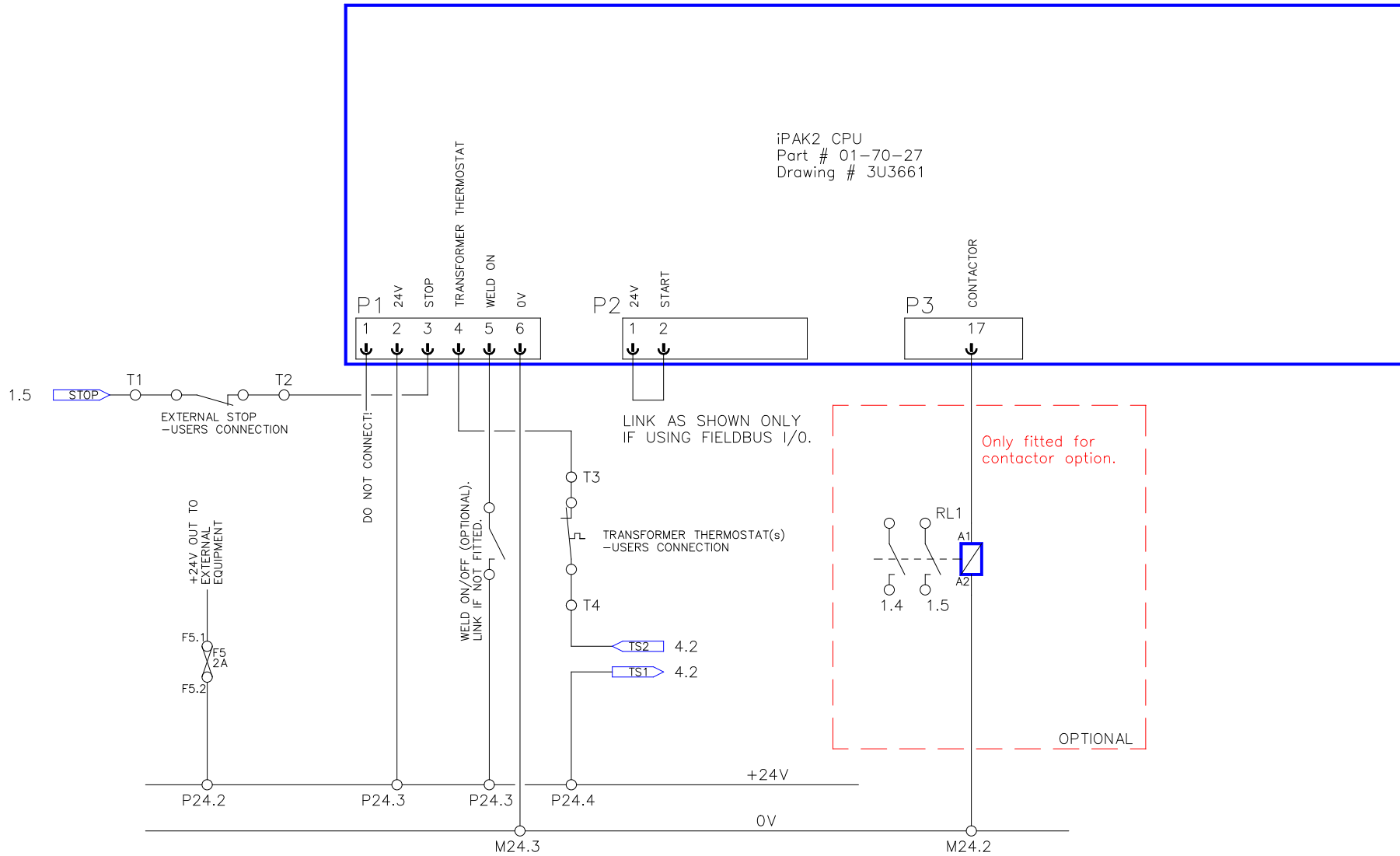
DATE:	6-1-20
DRAWN:	
CHECKED:	

BF ENTRON LTD

TITLE: iPAK2 MUX WIRING DIAGRAM

DRAWING No:	3U3694
ISSUE No:	2
SHEET No:	1 of 4

iPAK2 CPU
 Part # 01-70-27
 Drawing # 3U3661

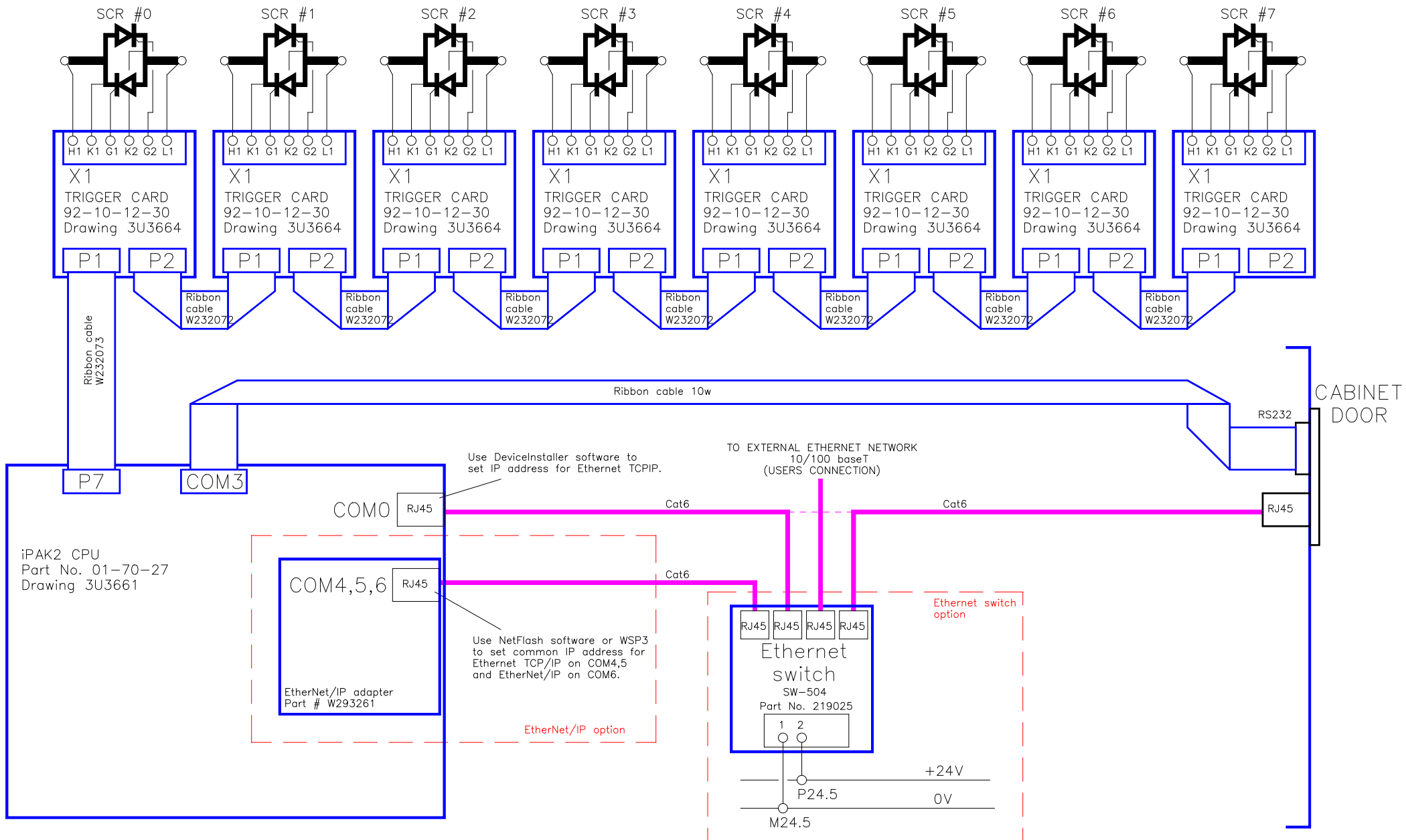


DATE:	6-1-20
DRAWN:	
CHECKED:	

BF ENTRON LTD

TITLE: iPAK2 MUX WIRING DIAGRAM

DRAWING No:	3U3694
ISSUE No: 2	SHEET No: 2 of 4

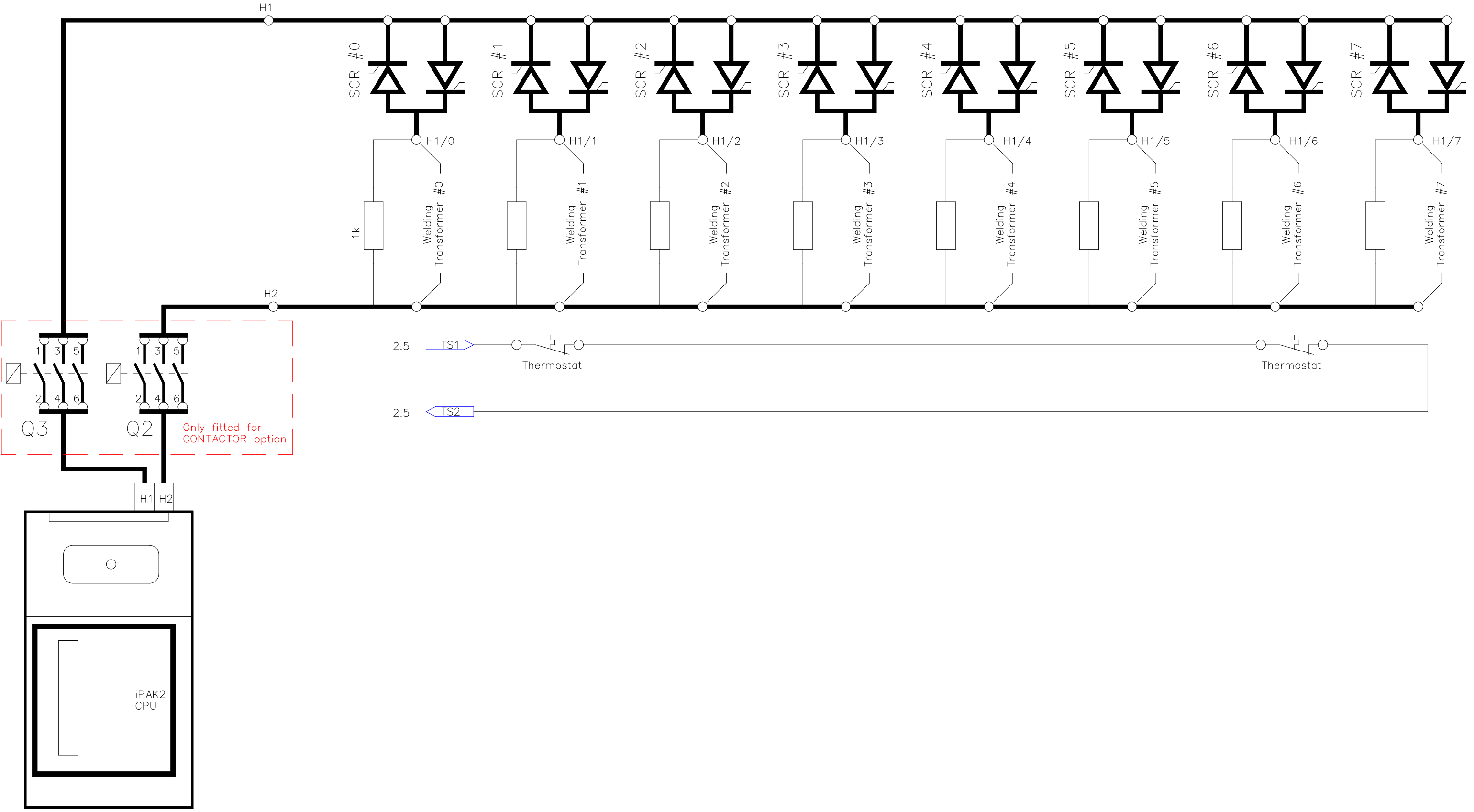


DATE:	6-1-20
DRAWN:	K.C.
CHECKED:	

BF ENTRON LTD

TITLE: iPAK2 MUX WIRING DIAGRAM

DRAWING No:	3U3694
ISSUE No:	2
SHEET No:	3 of 4



DATE:	6-1-20	BF ENTRON LTD	TITLE: iPAK2 MUX WIRING DIAGRAM	DRAWING No: 3U3694	
DRAWN:	K.C.			ISSUE No: 2	SHEET No: 4 of 4
CHECKED:					